

Title: Quartz Connector A		Drawn By: MAB	device solutions.net PO Box 131 Rolleston, 7643 New Zealand
Revision: A002	Project: Quartz Development Board	Date: 21/3/2013	
Sheet 1 of 11	Print Date: 9/05/2013	Size: A3	Updated By: *
Confidential Information not to be reproduced without permission from Device Solutions Ltd.,			Date: 9/05/2013

File: QuartzDevKit_Module_Connector_A_RevA.SchDoc

A

A

B

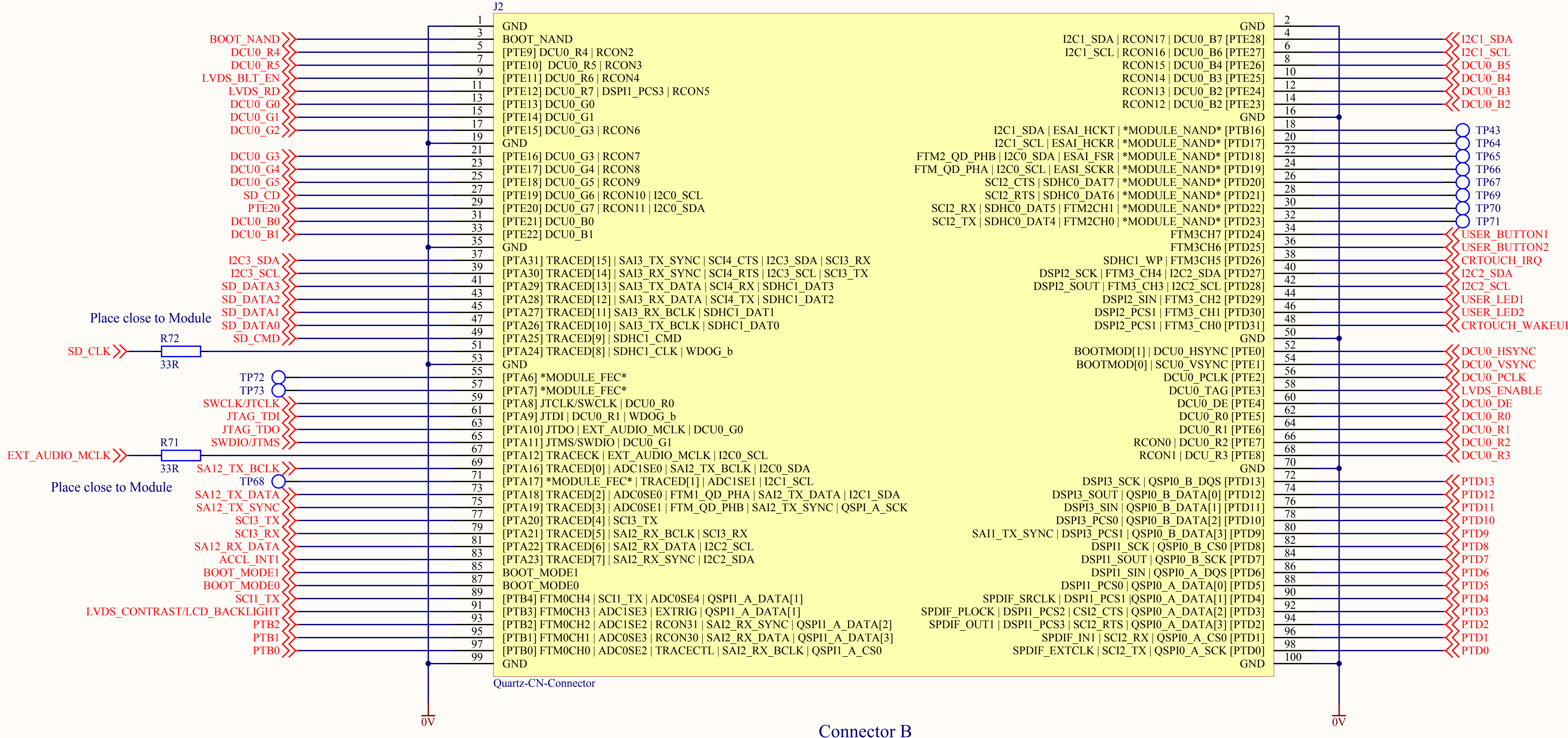
B

C

C

D

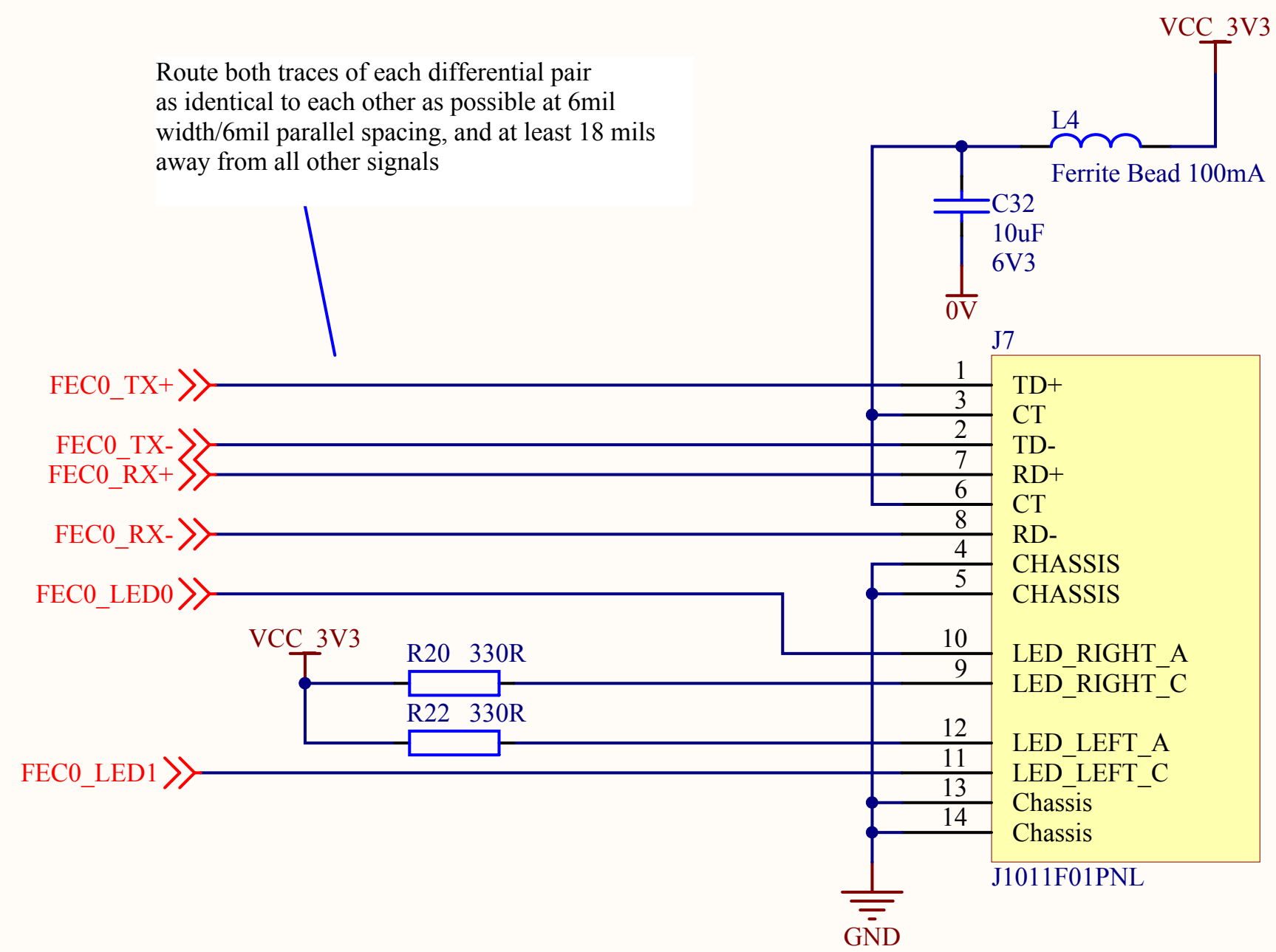
D



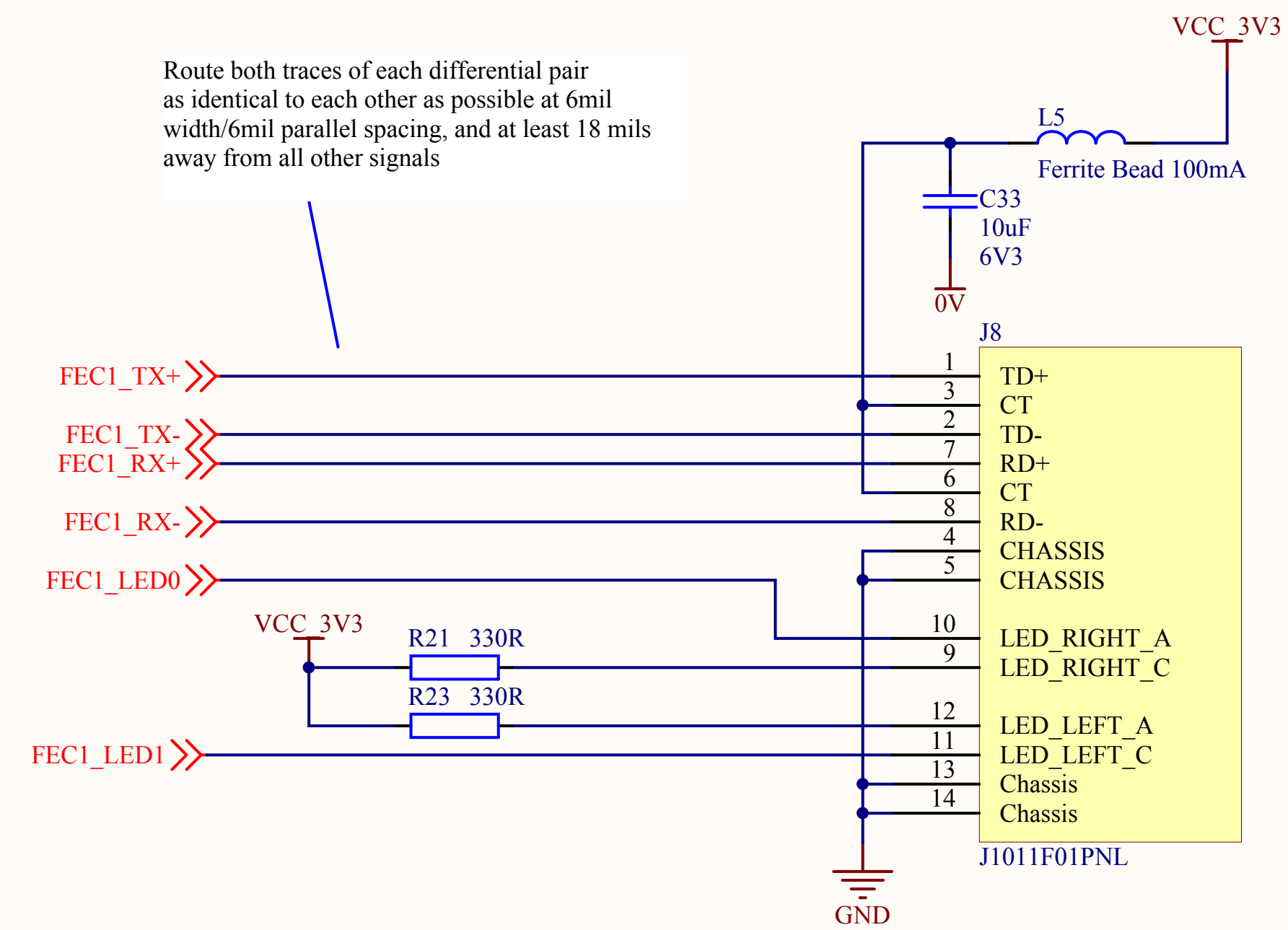
Connector B

Title: Quartz Connector B		Drawn By: MAB	 PO Box 131 Rolleston, 7643 New Zealand
Revision: A002	Project: Quartz Development Board	Date: 21/3/2013	
Sheet 2 of 11	Print Date: 9/05/2013	Size: A3	Updated By: *
Confidential Information not to be reproduced without permission from Device Solutions Ltd.,			Date: 9/05/2013

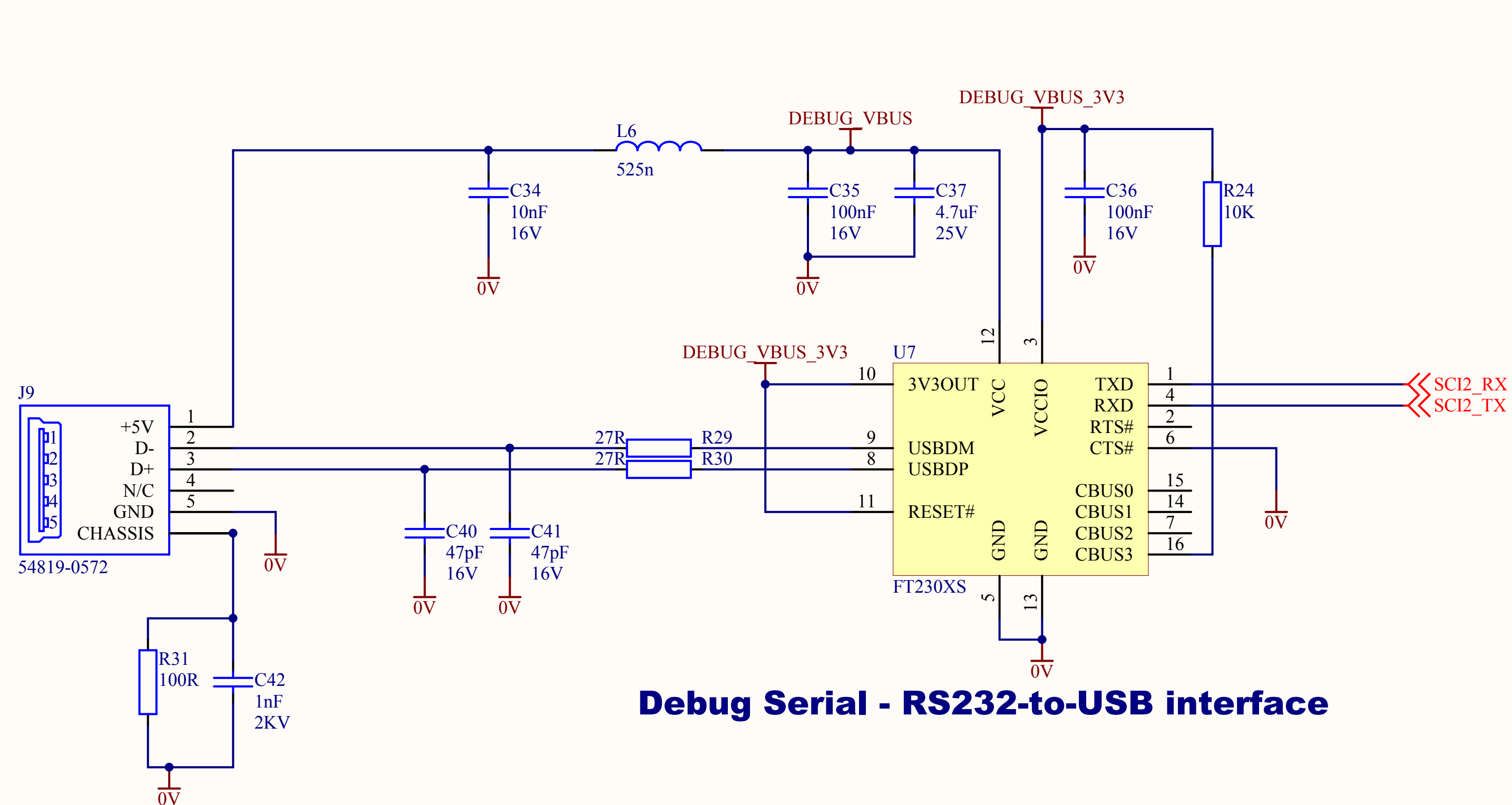
File: QuartzDevKit_Module_Connector_B_RevA.SchDoc



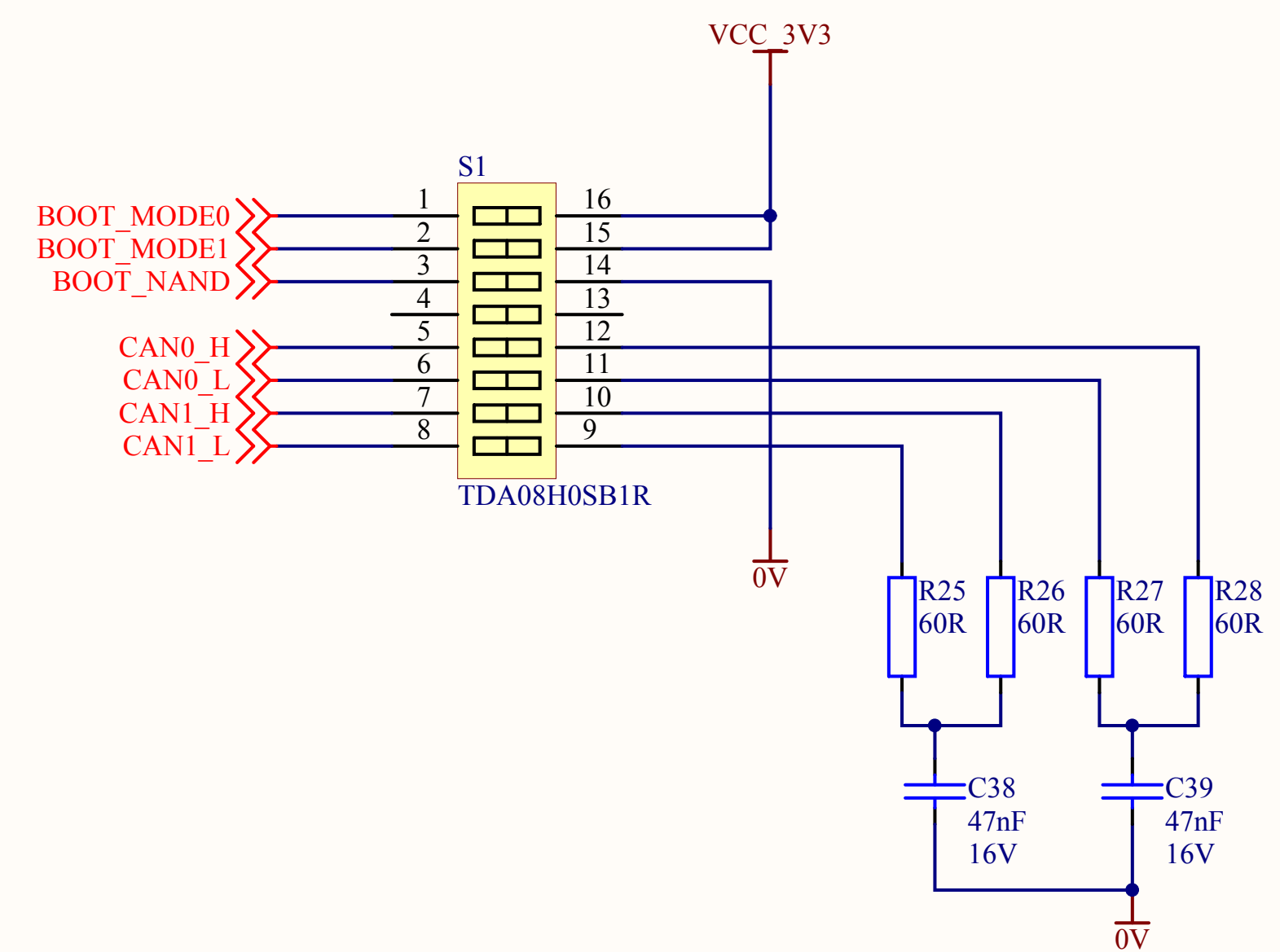
ETHERNET RJ45 PORT 0



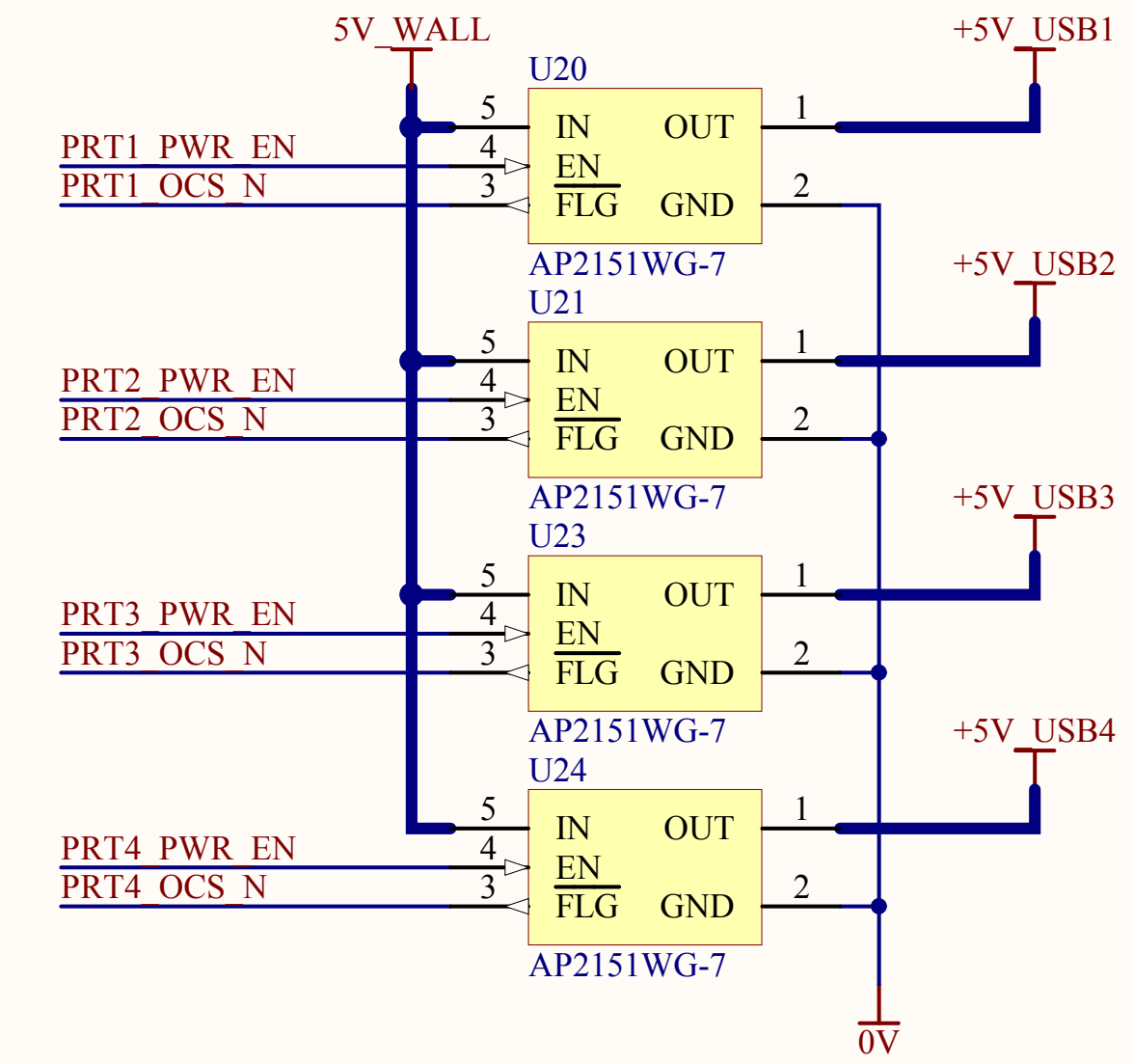
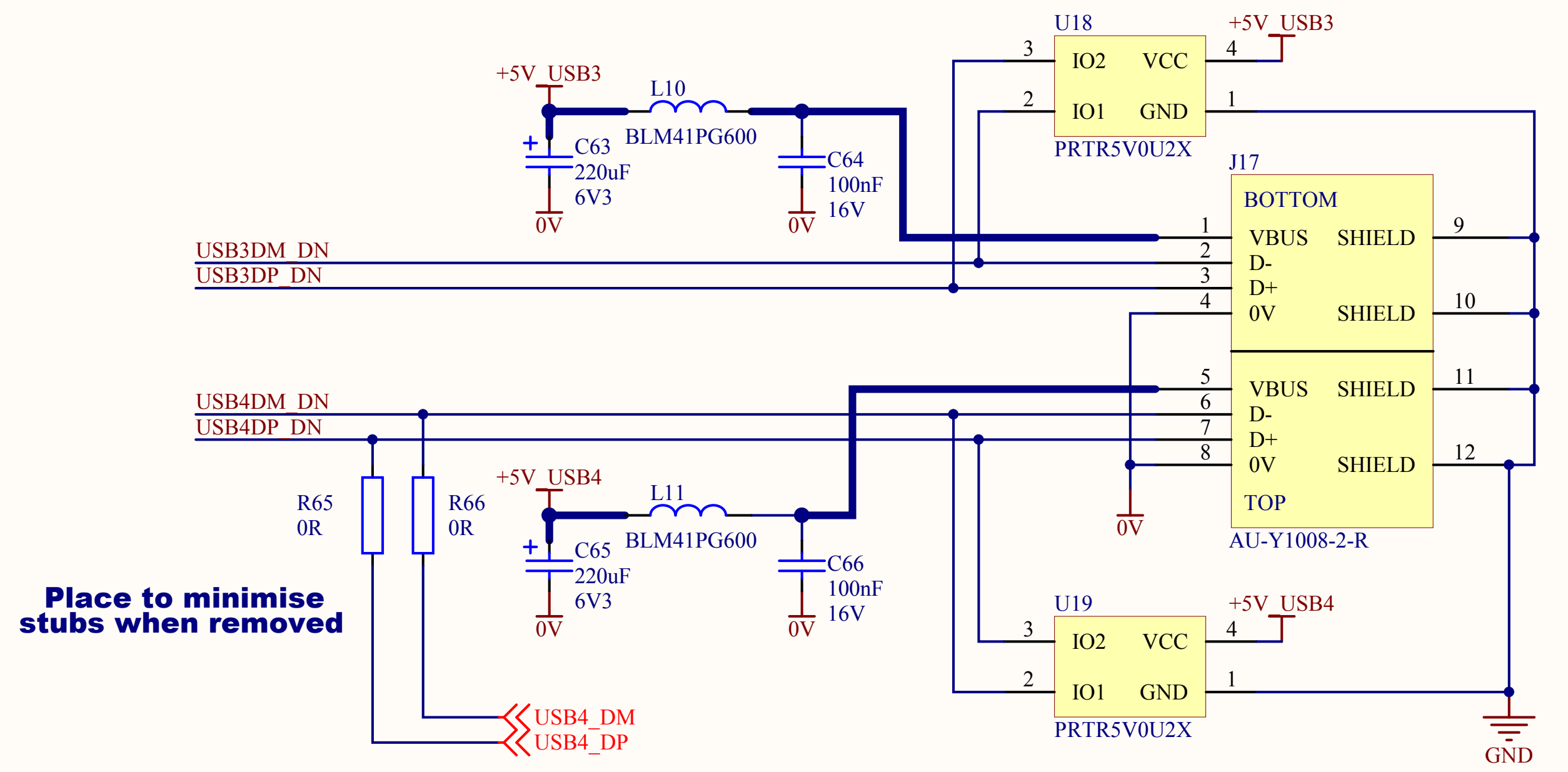
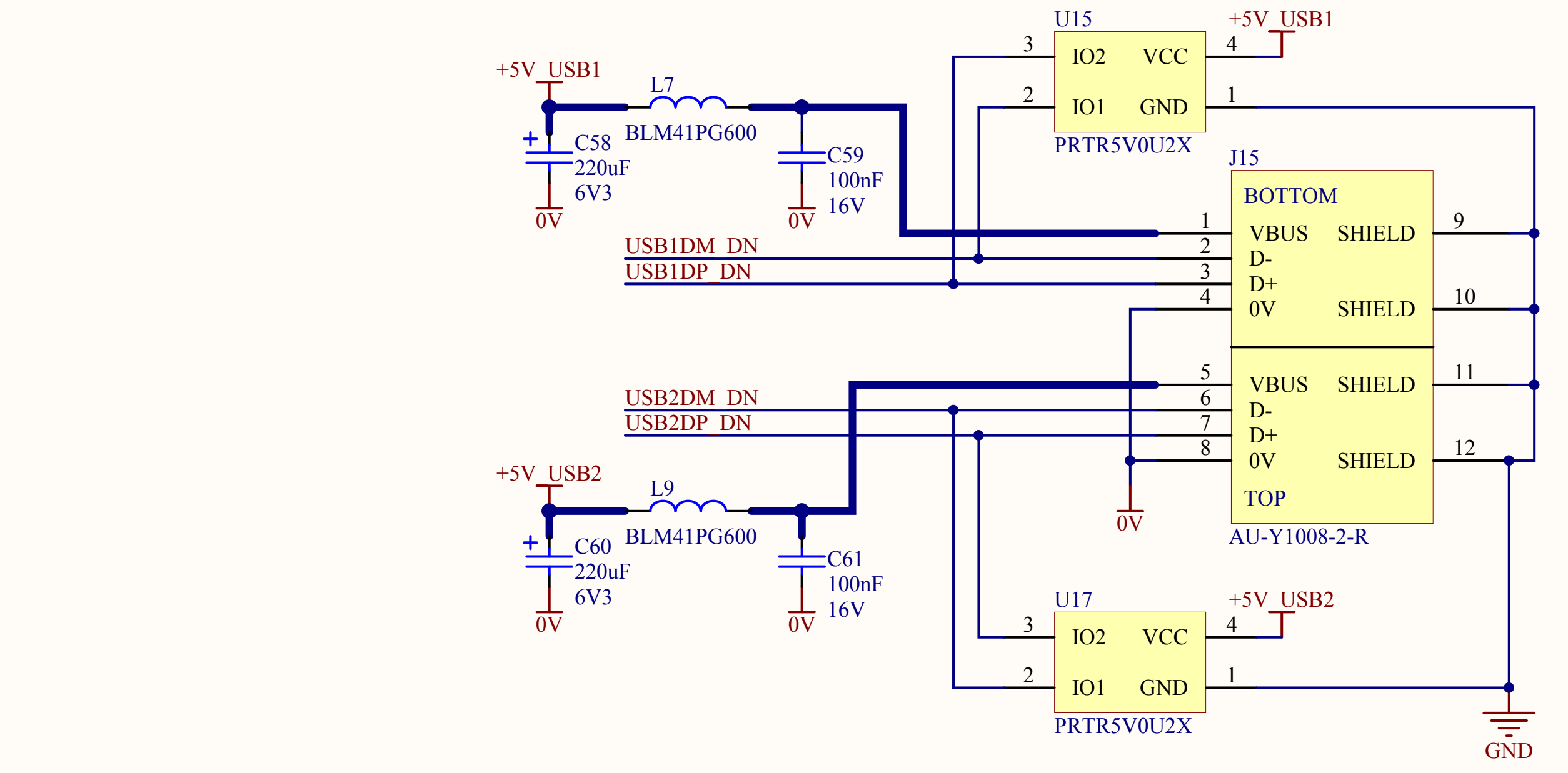
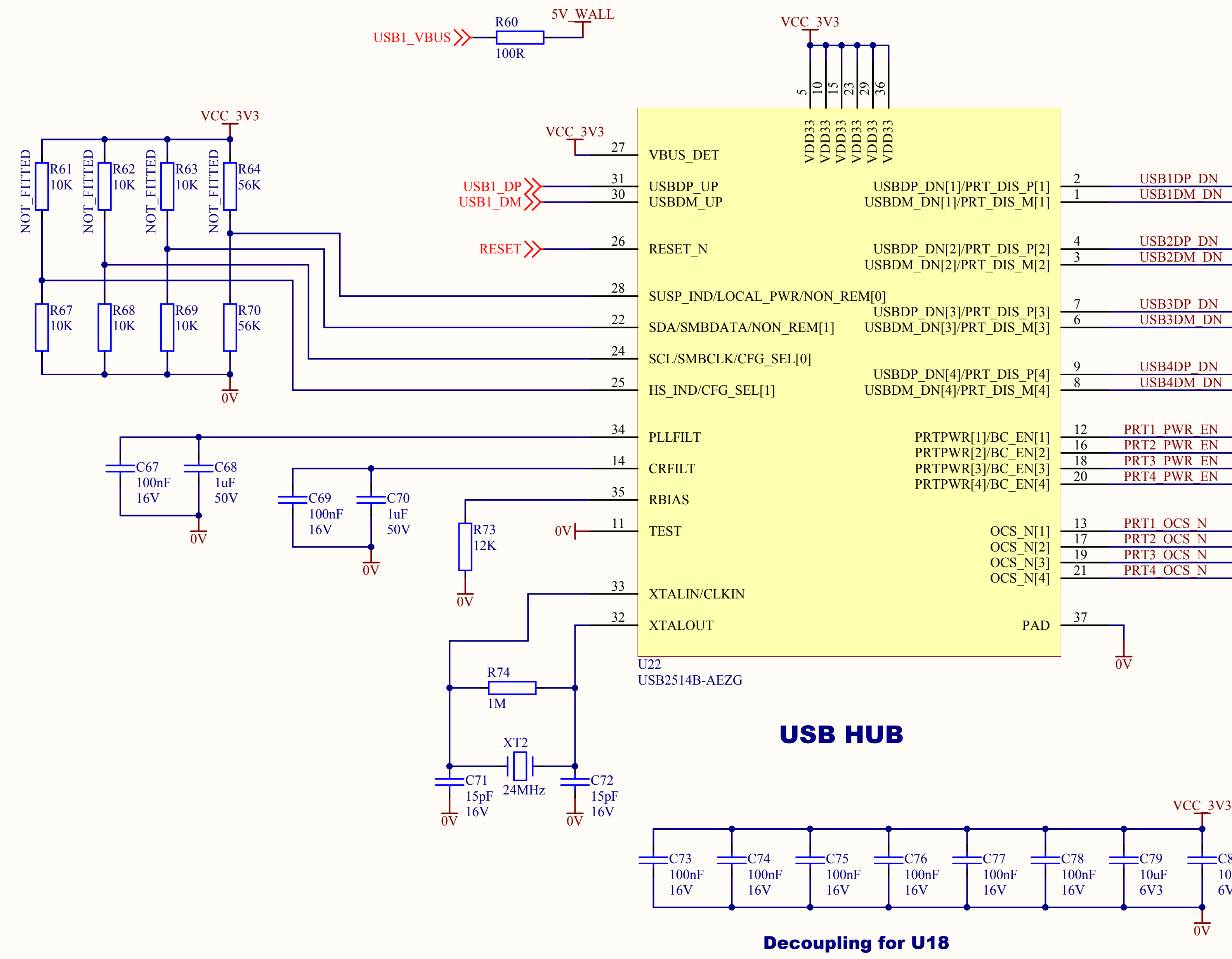
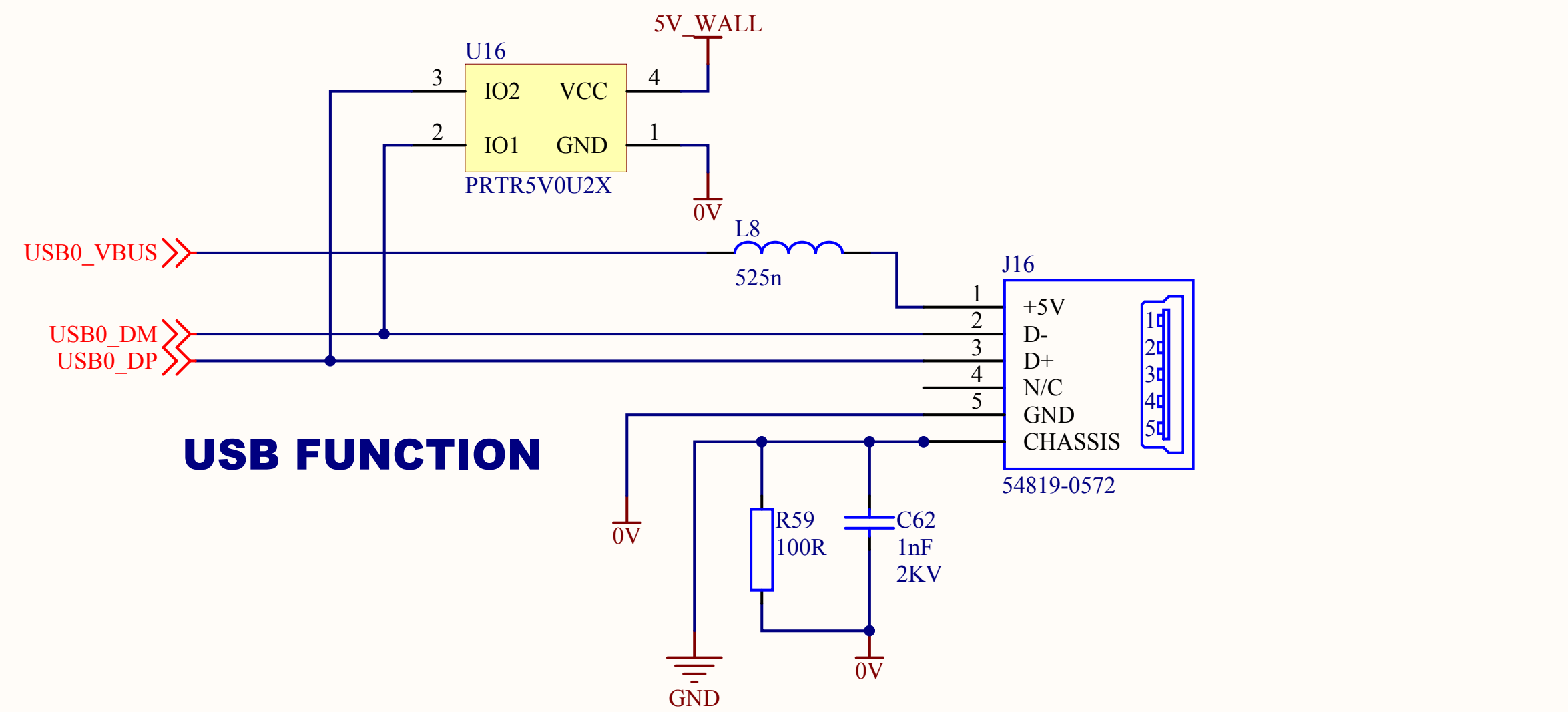
ETHERNET RJ45 PORT 1



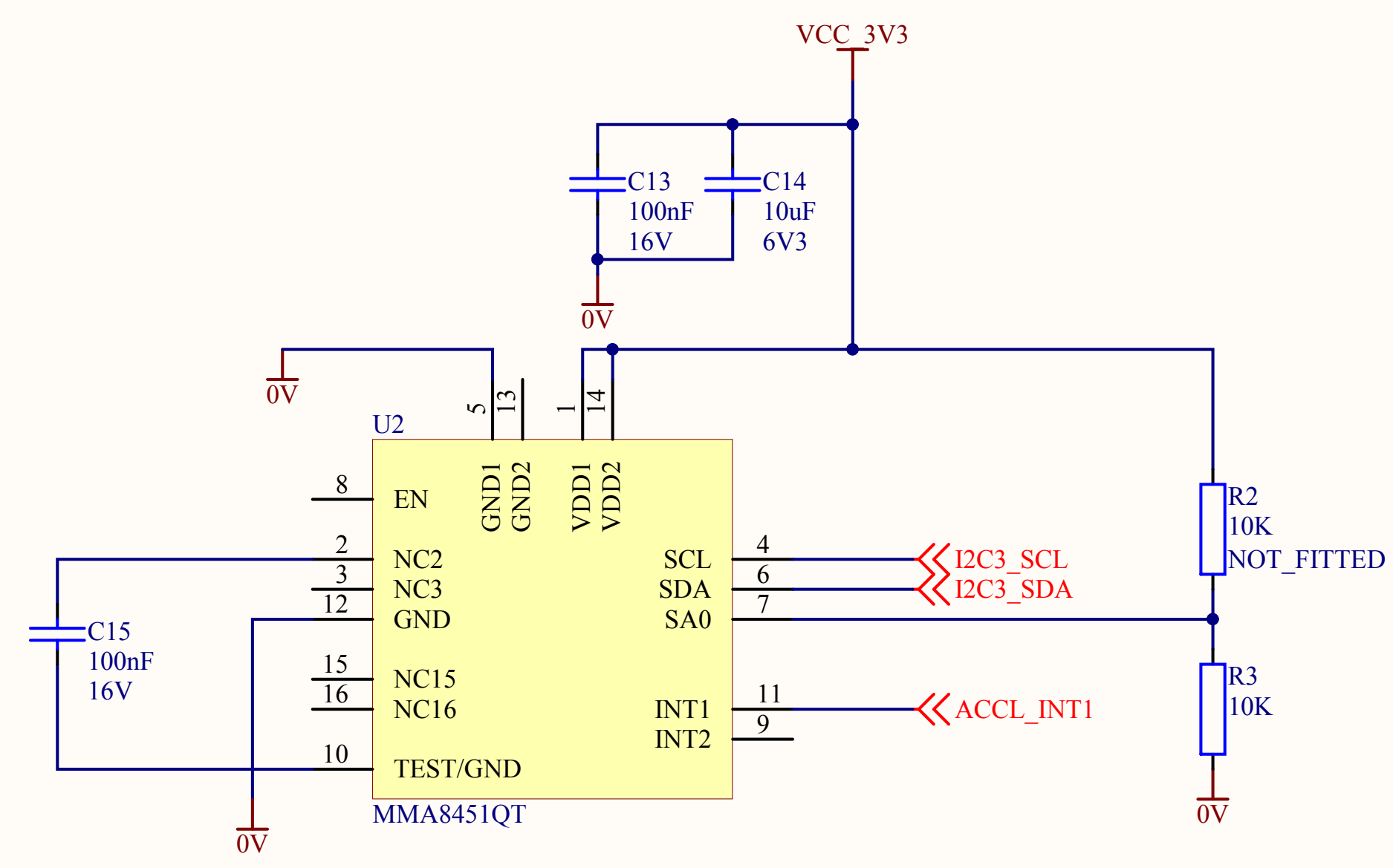
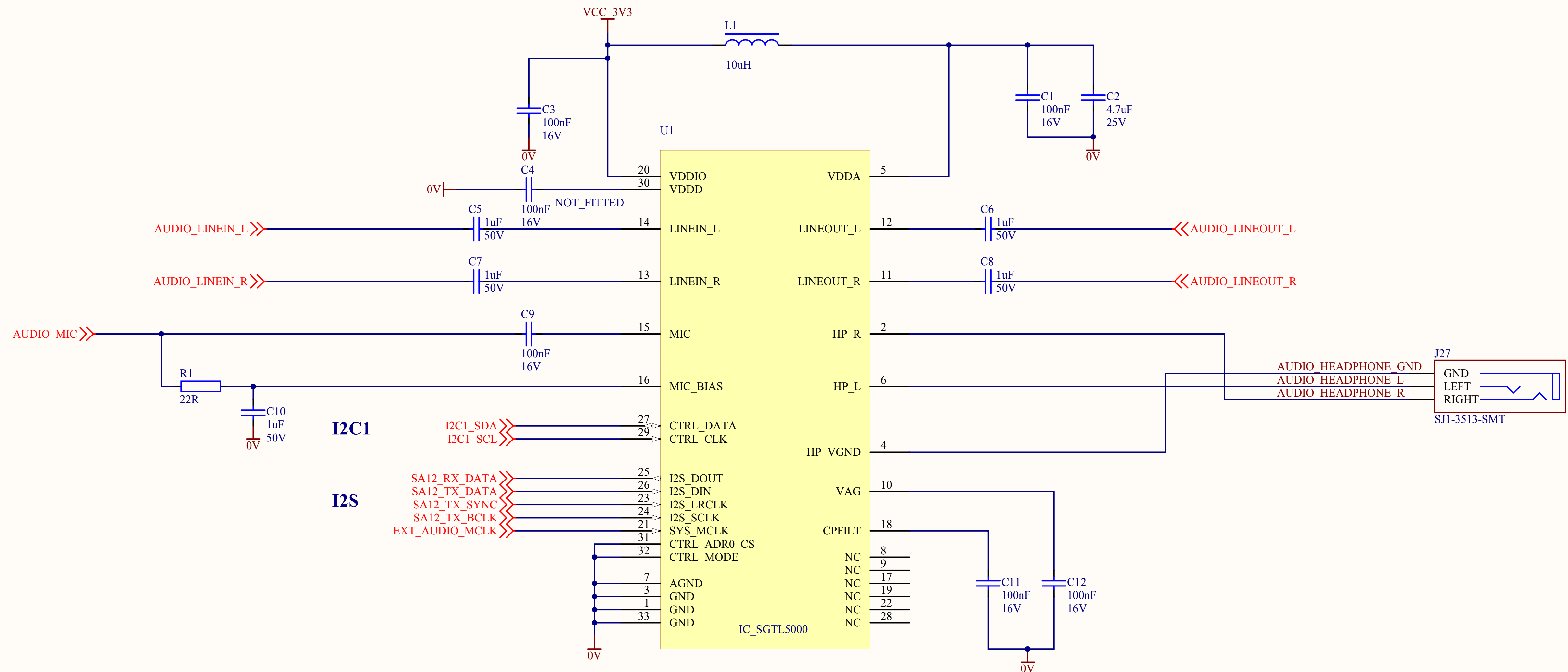
Debug Serial - RS232-to-USB interface




Title: Ethernet Interface		Drawn By: MAB	device solutions.net
Revision: A002	Project: Quartz Development Board	Date: 21/3/2013	
Sheet 3 of 11	Print Date: 9/05/2013	Size: A3	Updated By: *
Confidential Information not to be reproduced without permission from Device Solutions Ltd.,		Date: 9/05/2013	PO Box 131 Rolleston, 7643 New Zealand
			File: QuartzDevKit_Ethernet_RevA.SchDoc

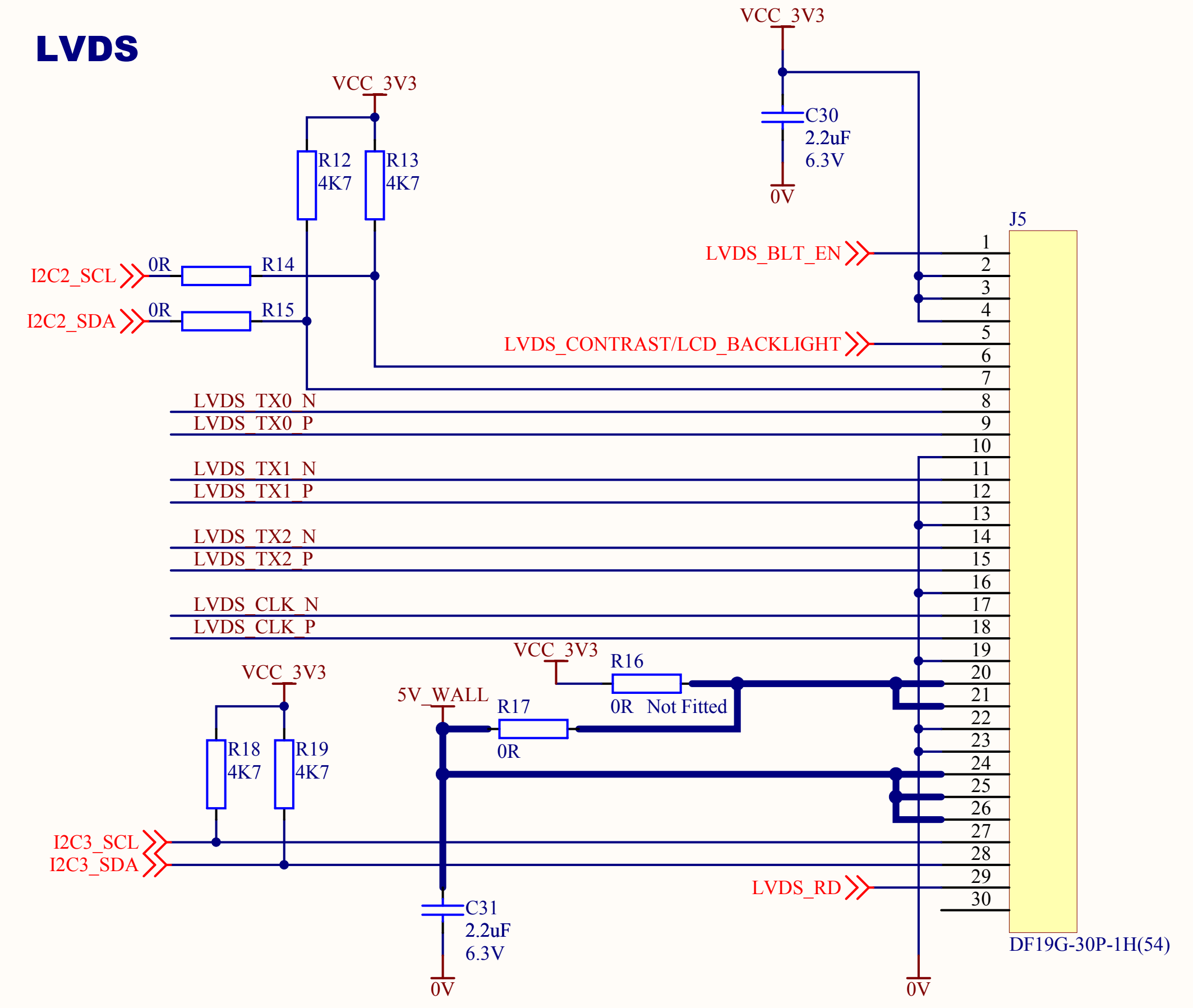
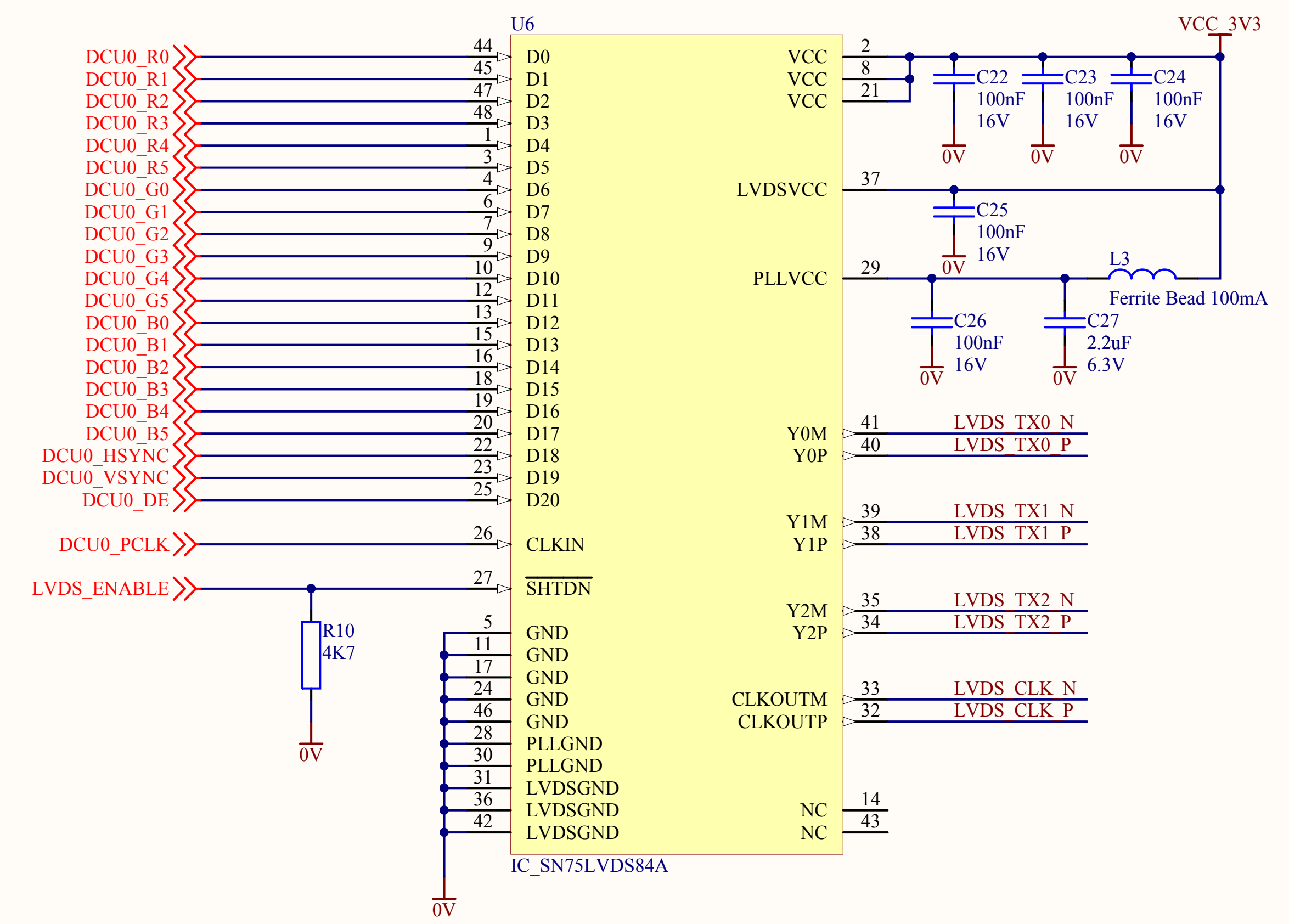
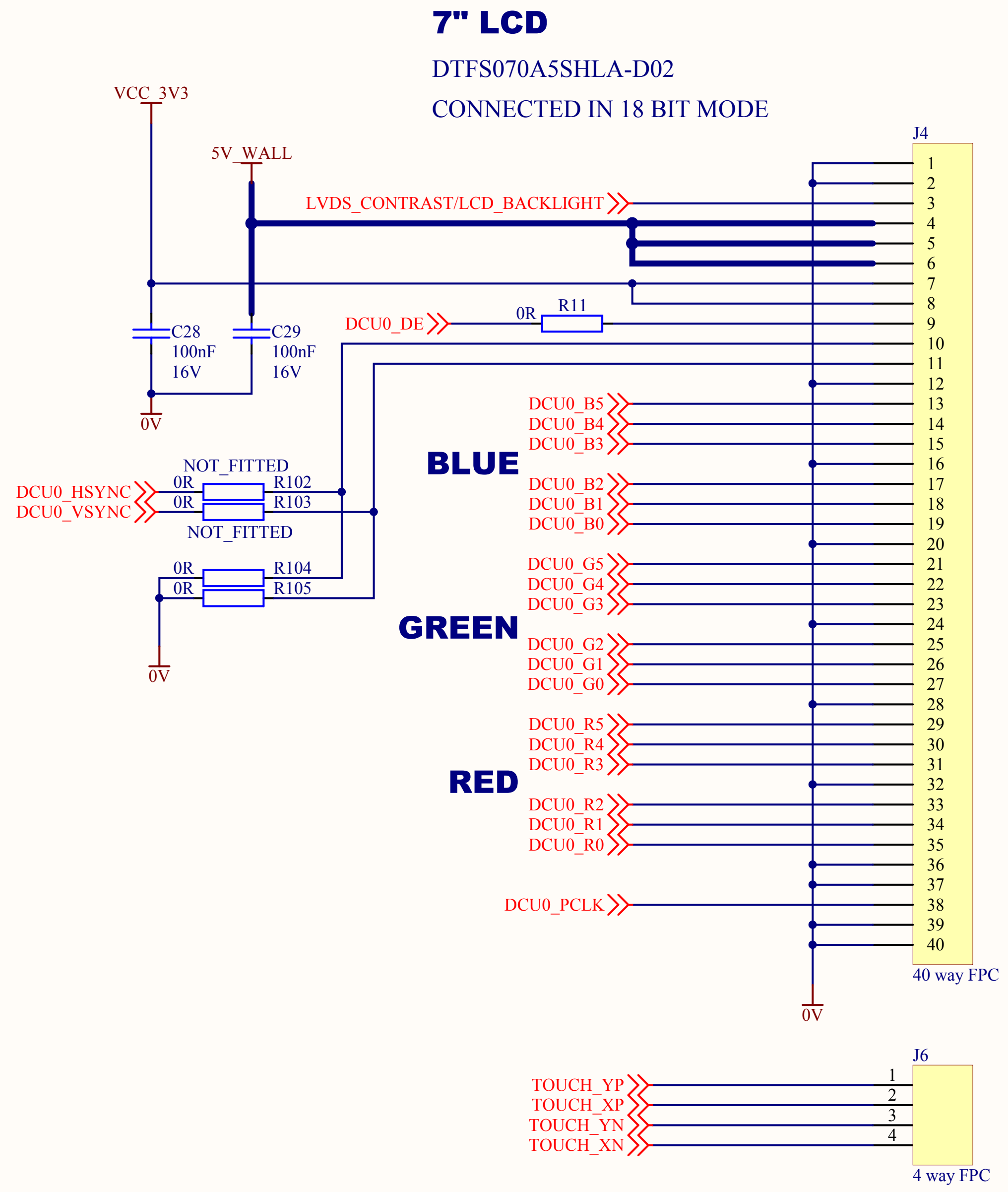


Title: USB		Drawn By: MAB	
Revision: A002	Project: Quartz Development Board	Date: 21/3/2013	
Sheet 4 of 11	Print Date: 9/05/2013	Updated By: *	PO Box 131 Rolleston, 7643 New Zealand
	Size: A3	Date: 9/05/2013	
Confidential Information not to be reproduced without permission from Device Solutions Ltd.,			File: QuartzDevKit_USB_RevA.SchDoc

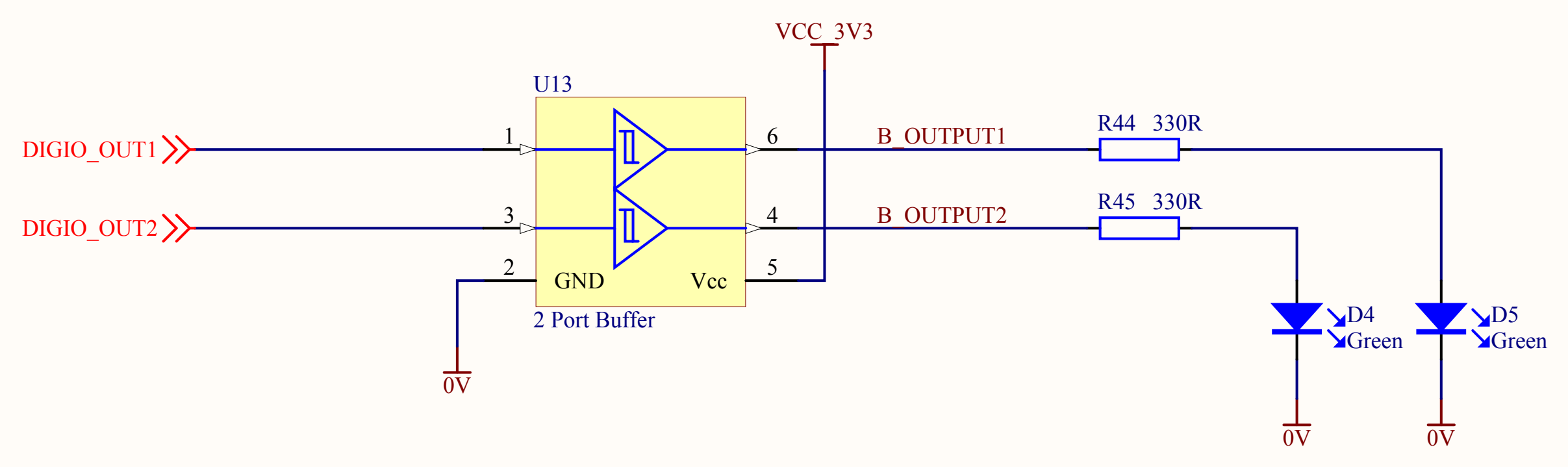
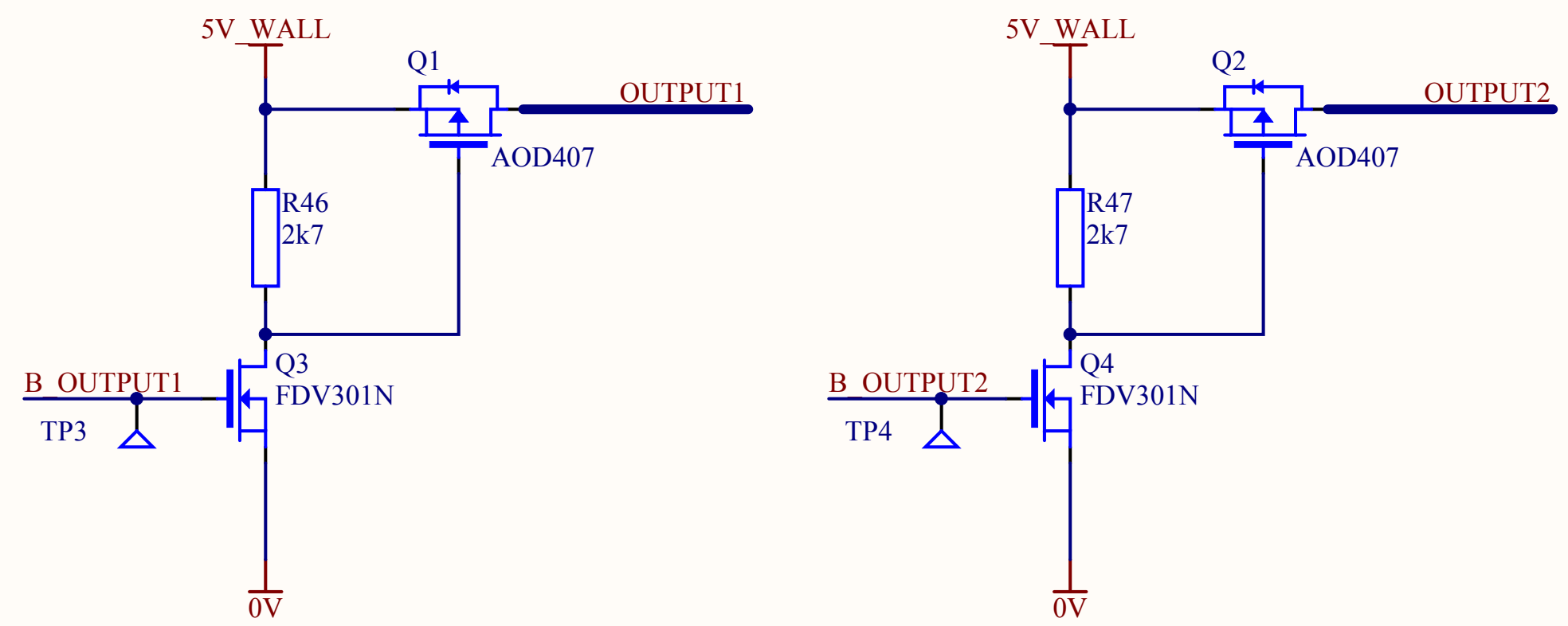
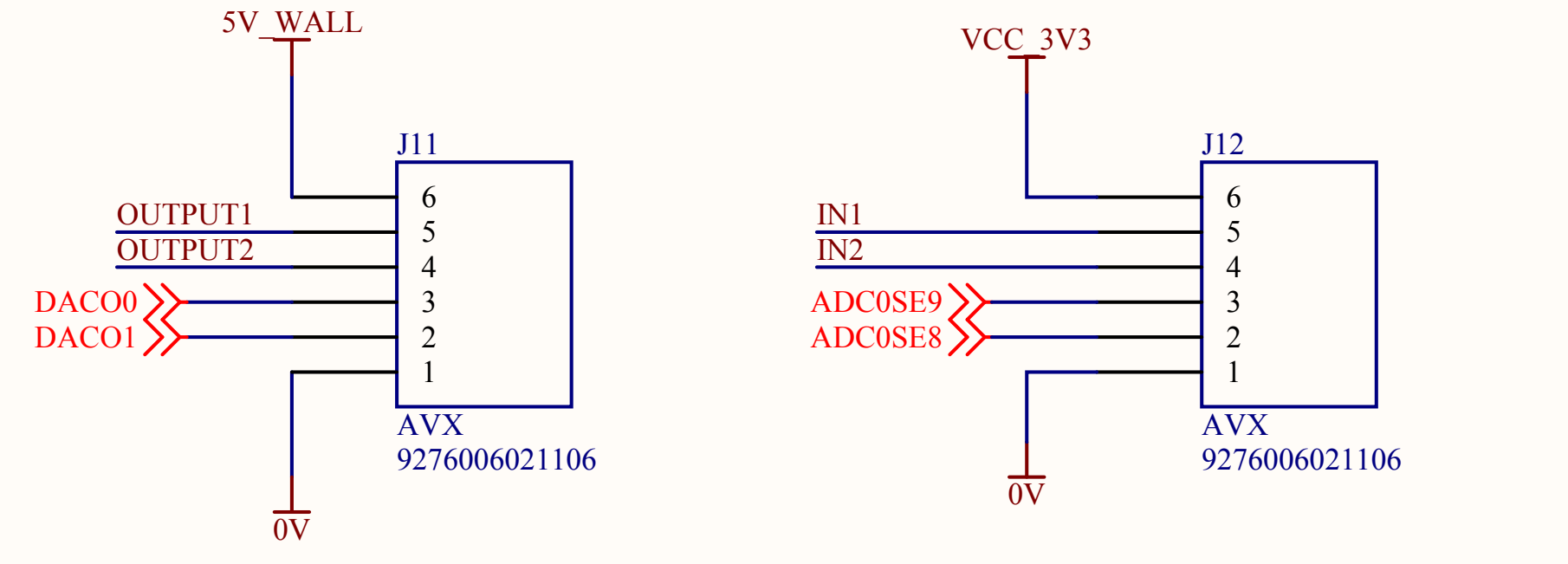
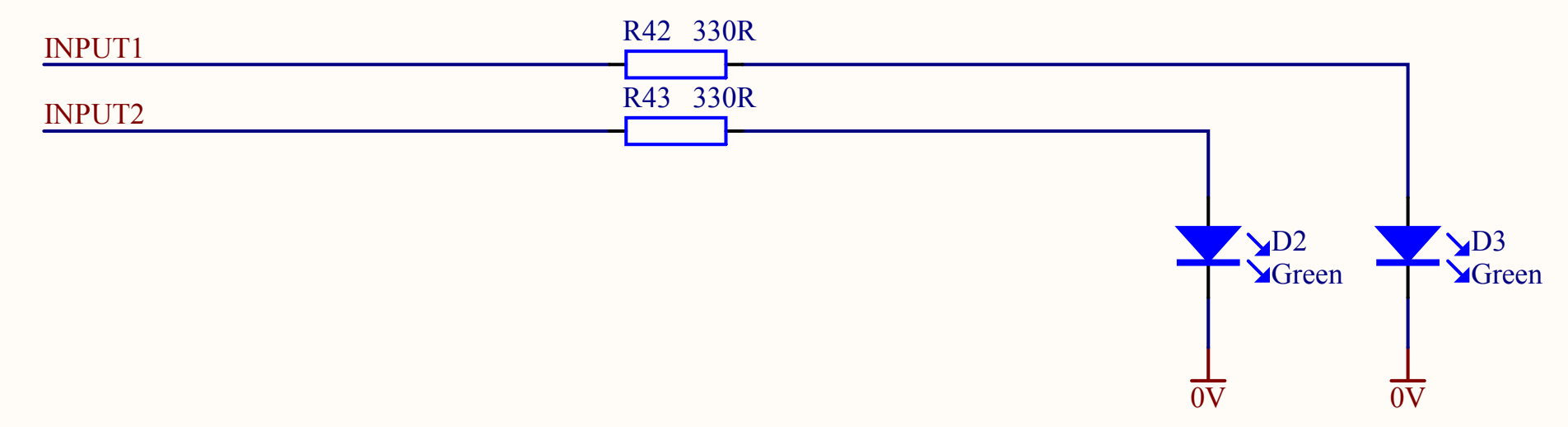
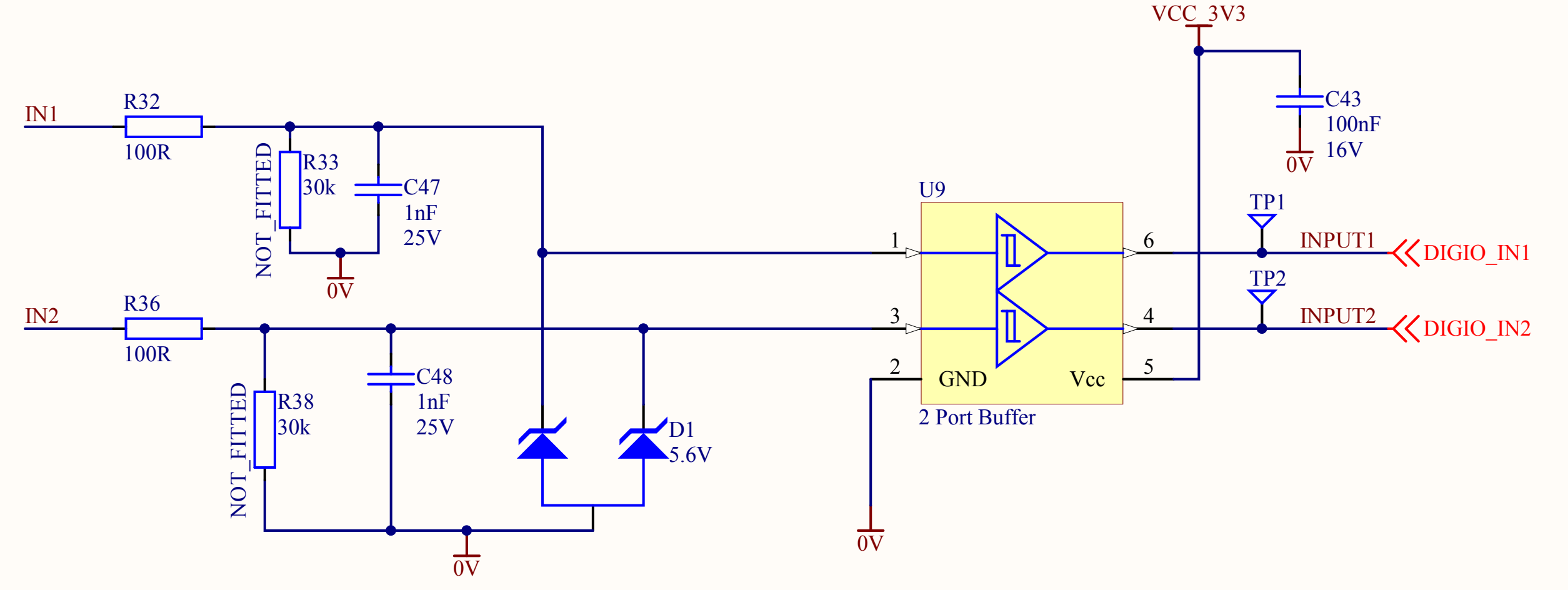
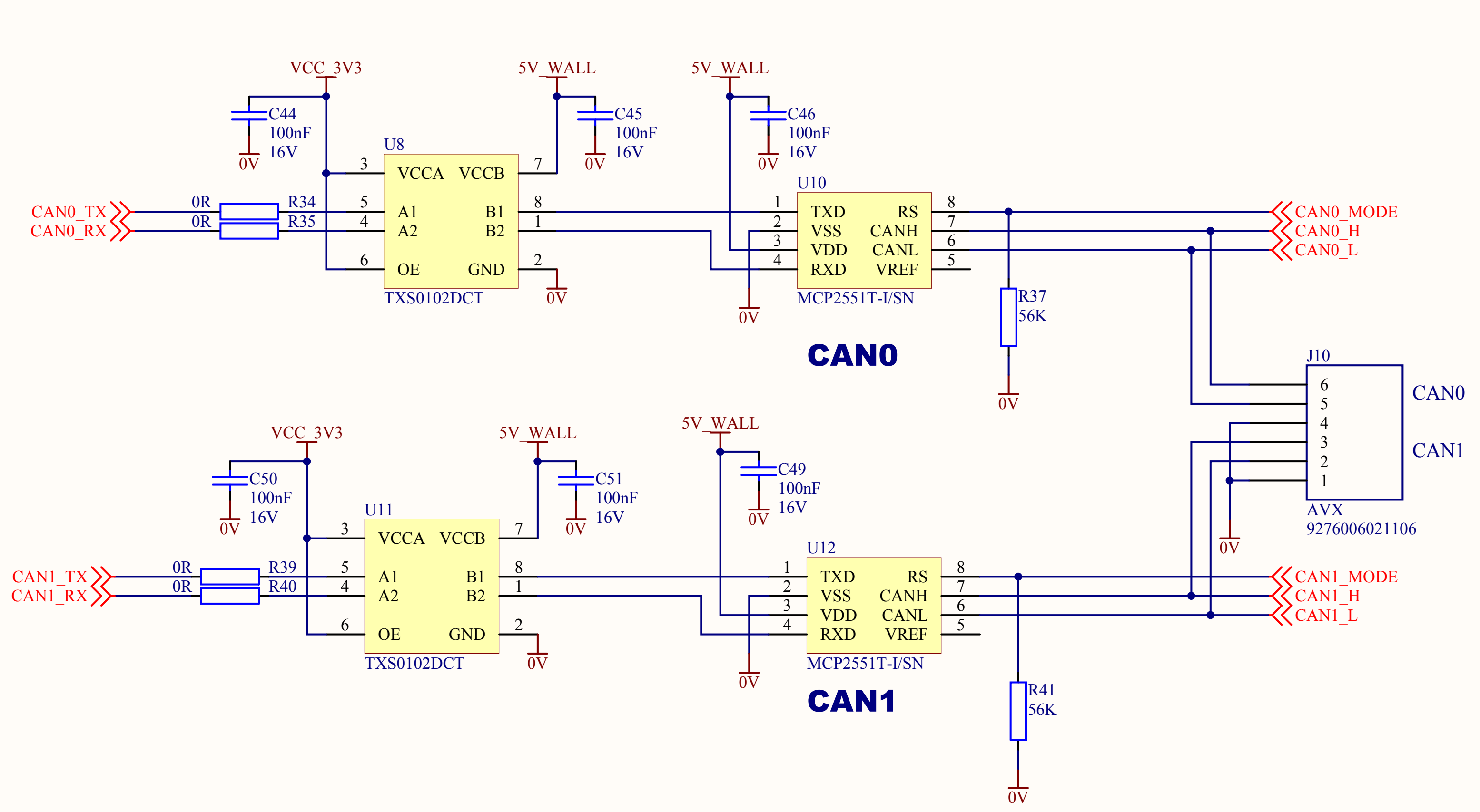



Accelerometer

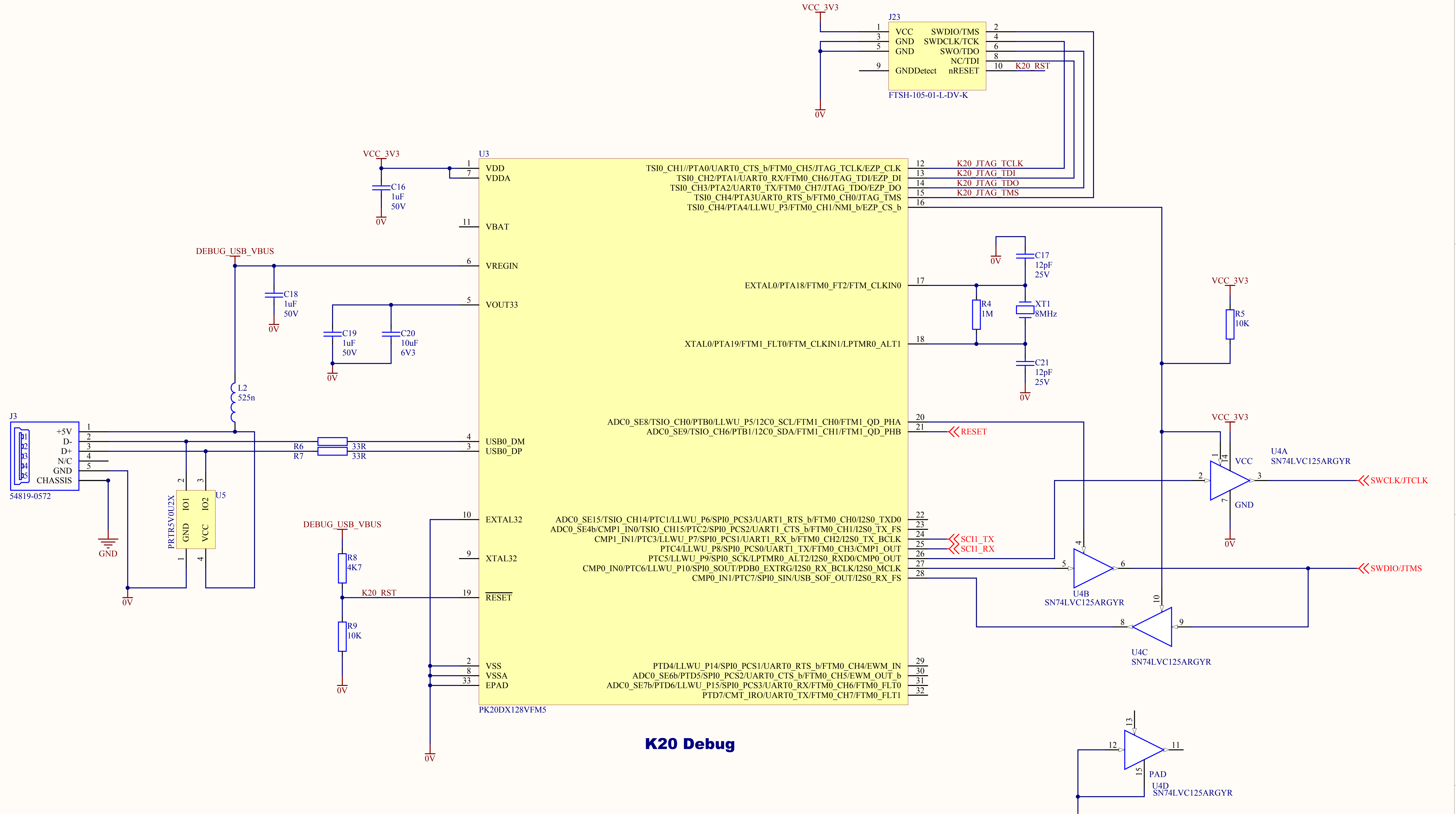
Title: Audio		Drawn By: MAB	
Revision: A002	Project: Quartz Development Board	Date: 21/3/2013	
Sheet 5 of 11	Print Date: 9/05/2013	Updated By: *	PO Box 131 Rolleston, 7643 New Zealand
	Size: A3	Date: 9/05/2013	
Confidential Information not to be reproduced without permission from Device Solutions Ltd.,			File: QuartzDevKit_Audio_RevA.SchDoc



Title: Display		Drawn By: MAB	 PO Box 131 Rolleston, 7643 New Zealand
Revision: A002	Project: Quartz Development Board	Date: 21/3/2013	
Sheet 6 of 11	Print Date: 9/05/2013	Size: A3	Updated By: *
Confidential Information not to be reproduced without permission from Device Solutions Ltd.,			Date: 9/05/2013
File: QuartzDevKit_Display_RevA.SchDoc			



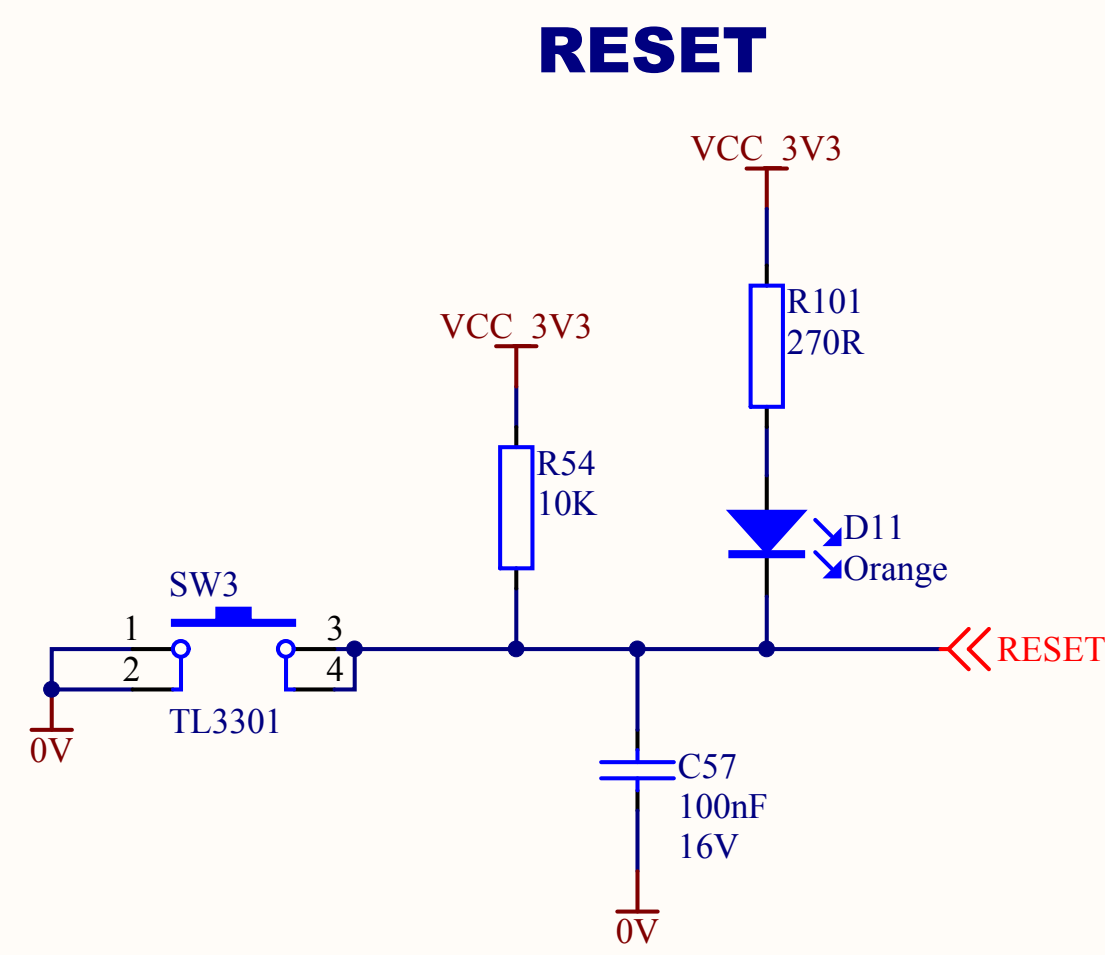
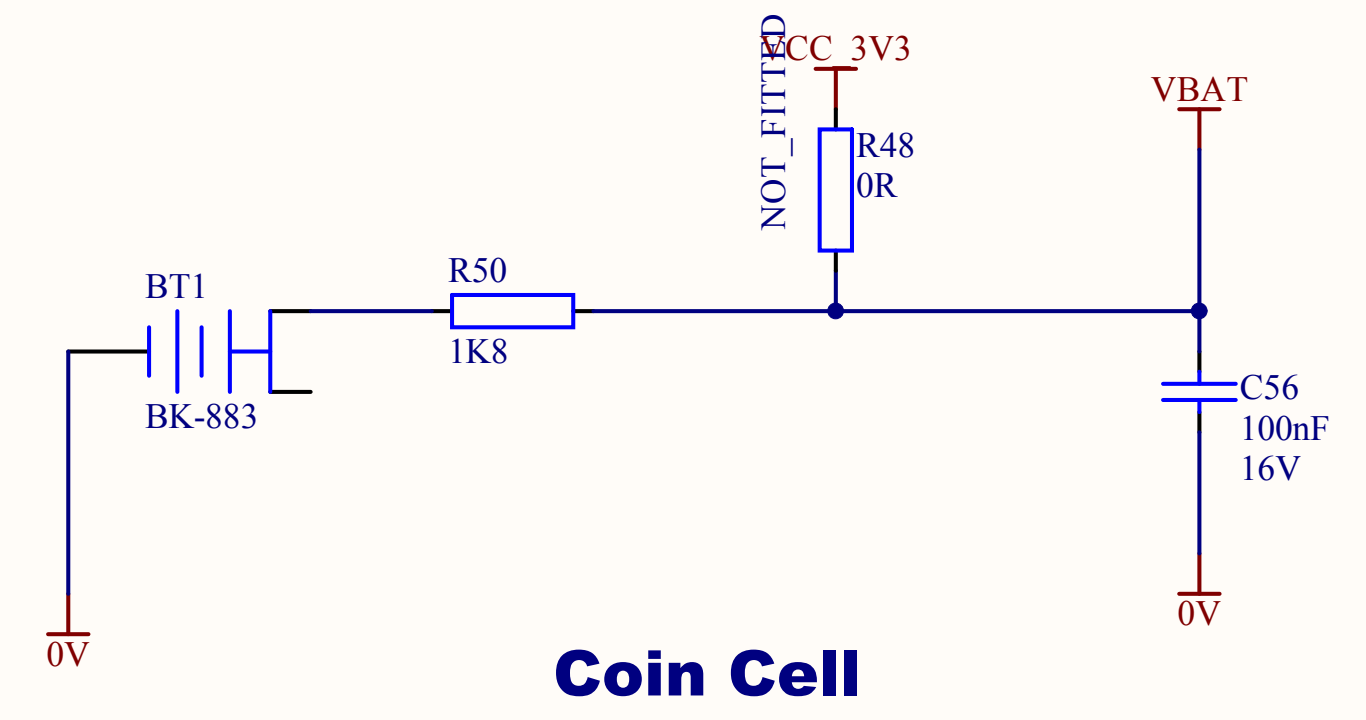
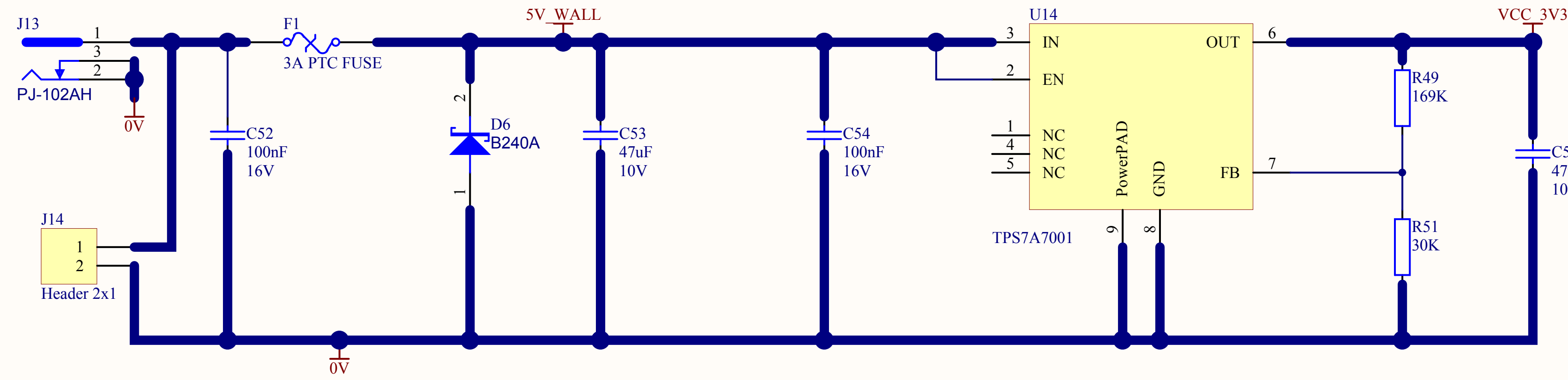
Title: IO		Drawn By: MAB	
Revision: A002	Project: Quartz Development Board		
Sheet 7 of 11	Print Date: 9/05/2013	Size: A3	Updated By: *
			Date: 9/05/2013
Confidential Information not to be reproduced without permission from Device Solutions Ltd.,			File: QuartzDevKit_IO_RevA.SchDoc



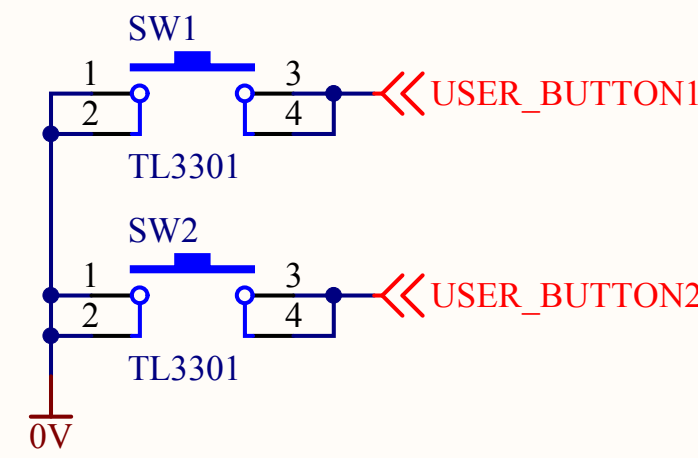
K20 Debug

Vybrid JTAG

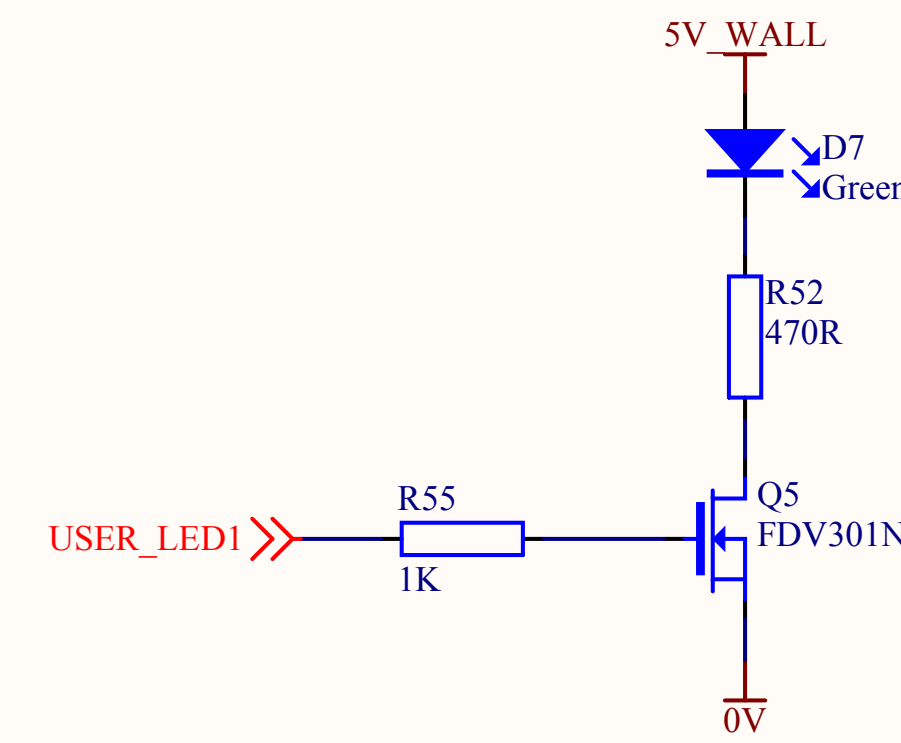
Title: Debug		Drawn By: MAB	 PO Box 131 Rolleston, 7643 New Zealand
Revision: A002	Project: Quartz Development Board		
Sheet 8 of 11	Print Date: 9/05/2013	Size: A3	Updated By: *
			Date: 9/05/2013
Confidential Information not to be reproduced without permission from Device Solutions Ltd.,			File: QuartzDevKit_Debug_RevA.SchDoc



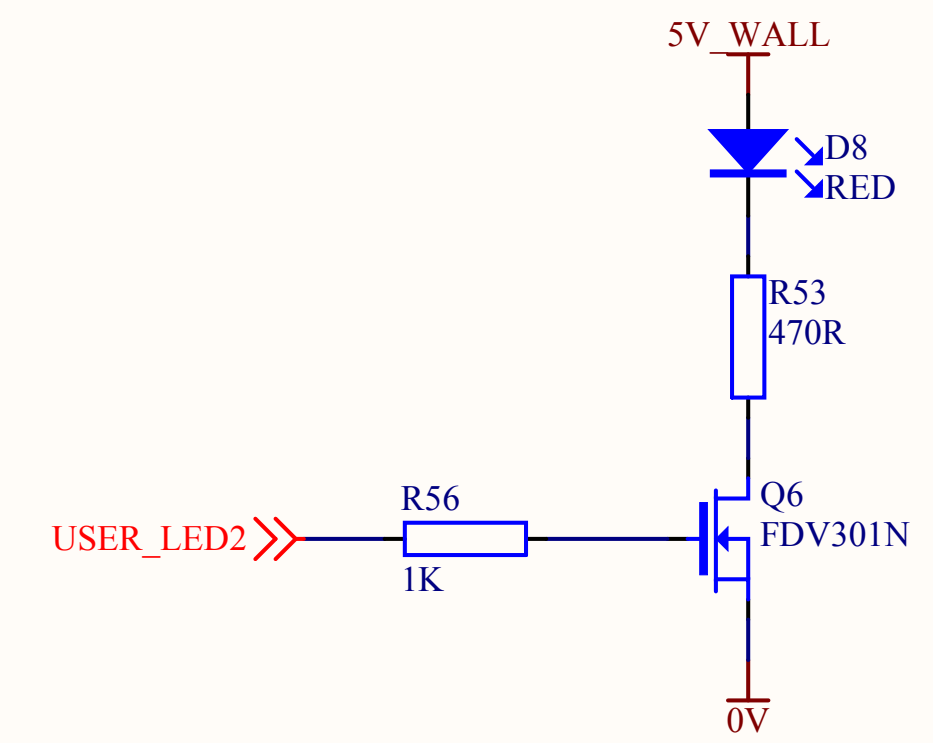
USER DEFINED BUTTONS



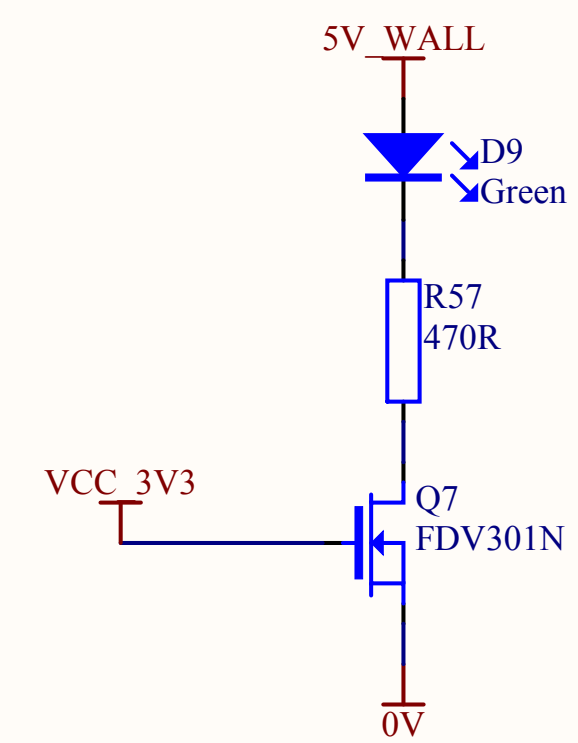
USER LED 1



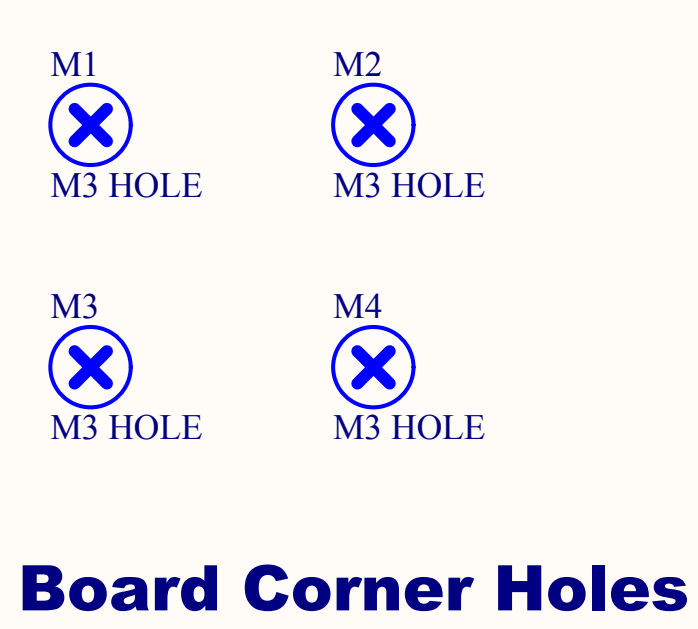
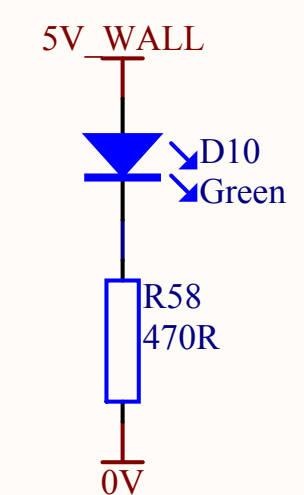
USER LED 2



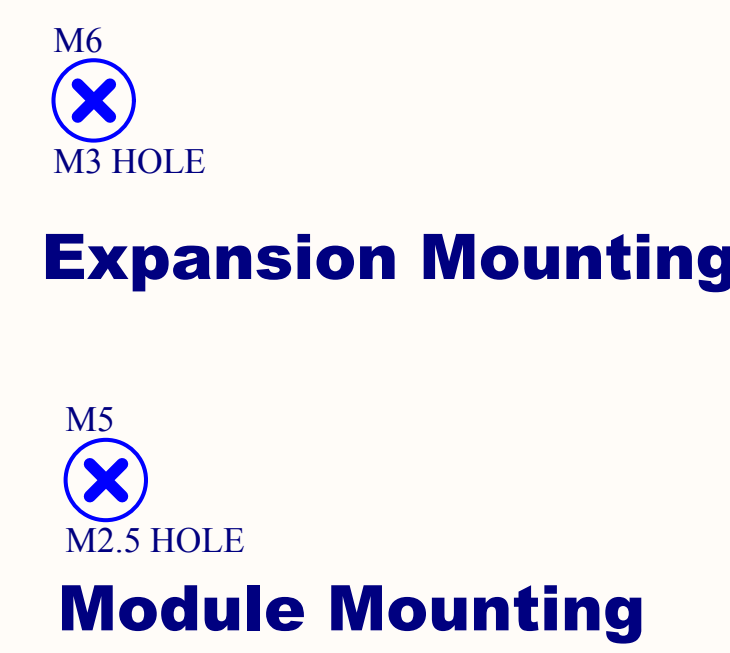
DCDC_3V3



5V_MAIN

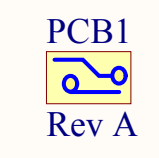


Board Corner Holes

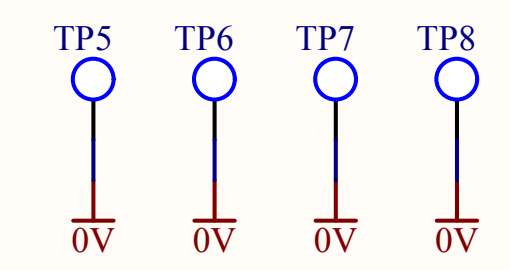


Expansion Mounting

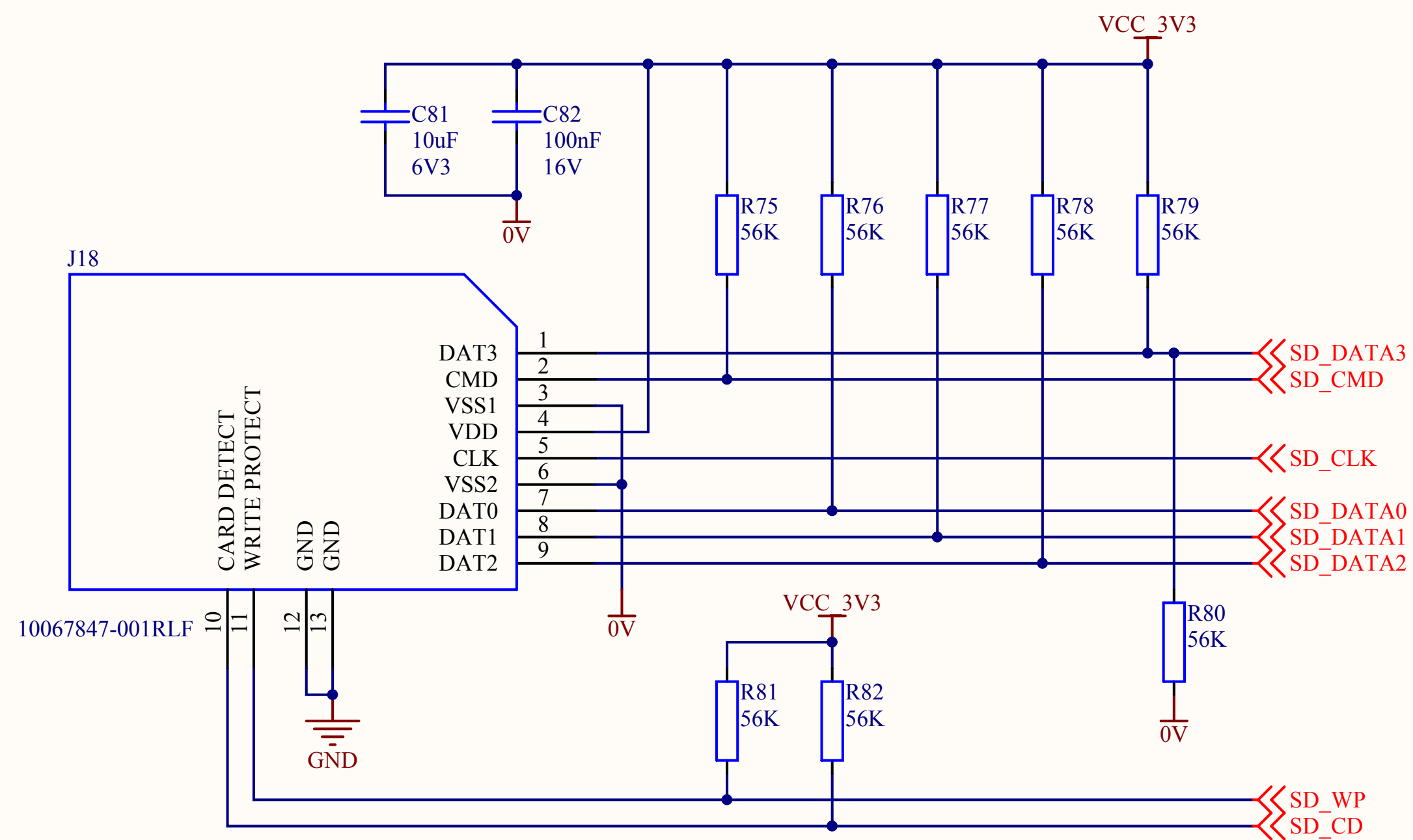
Module Mounting



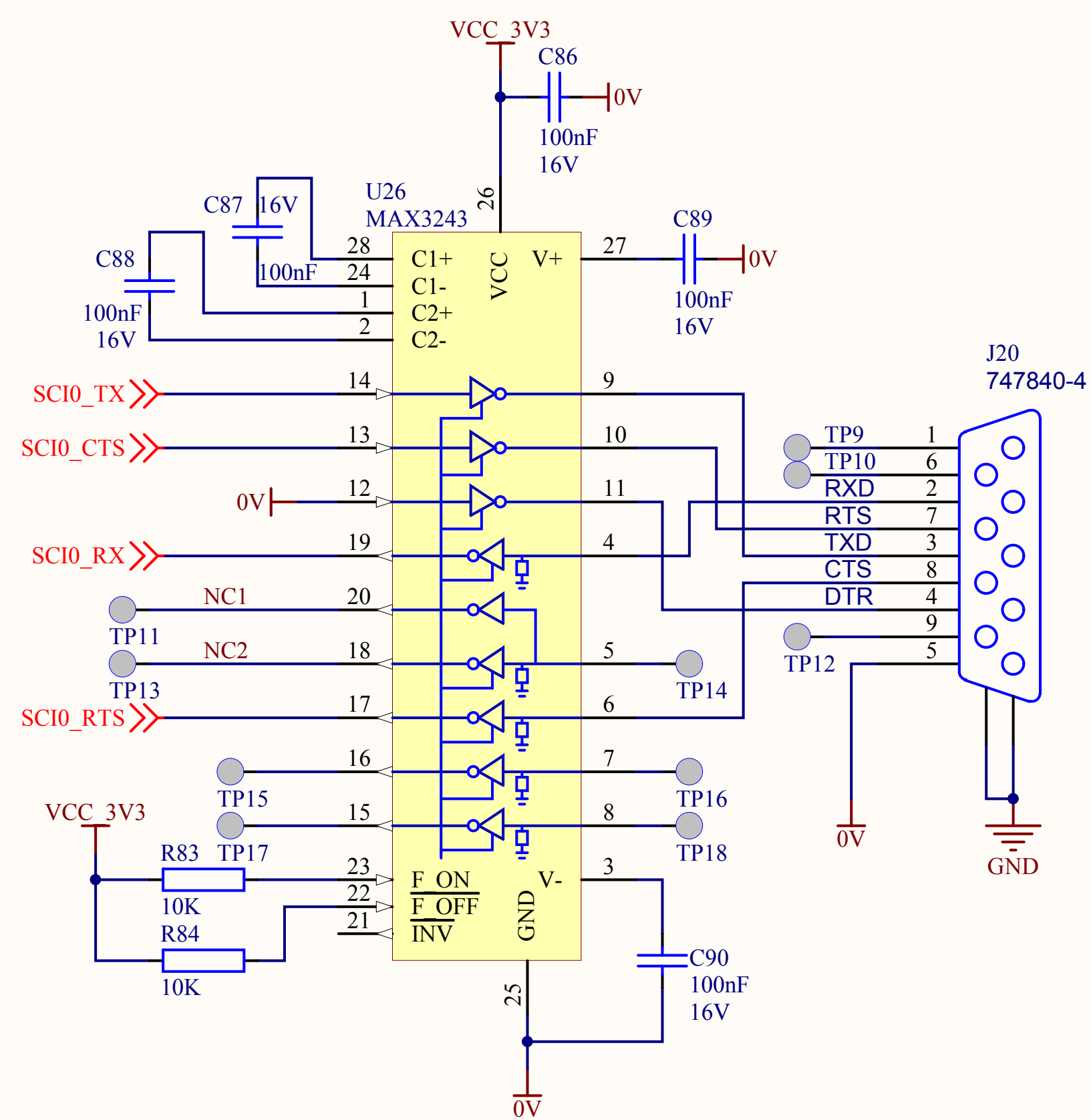
Logo1
Device Solutions Logo
M_Logo



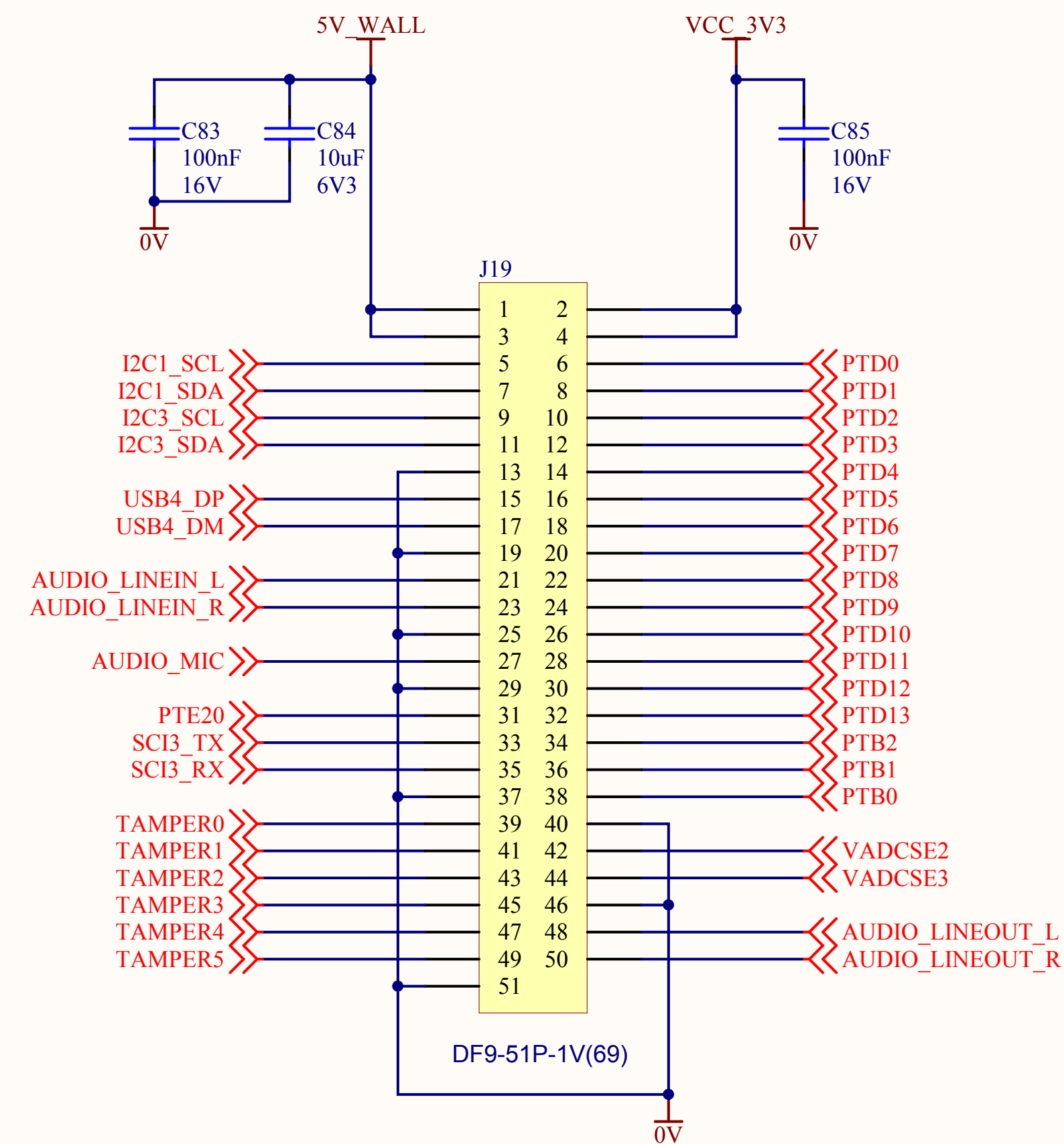
Title: Power Supply		Drawn By: MAB	 PO Box 131 Rolleston, 7643 New Zealand
Revision: A002	Project: Quartz Development Board	Date: 21/3/2013	
Sheet 9 of 11	Print Date: 9/05/2013	Size: A3	Updated By: *
			Date: 9/05/2013
Confidential Information not to be reproduced without permission from Device Solutions Ltd.,			File: QuartzDevKit_PSU_RevA.SchDoc



SD Card

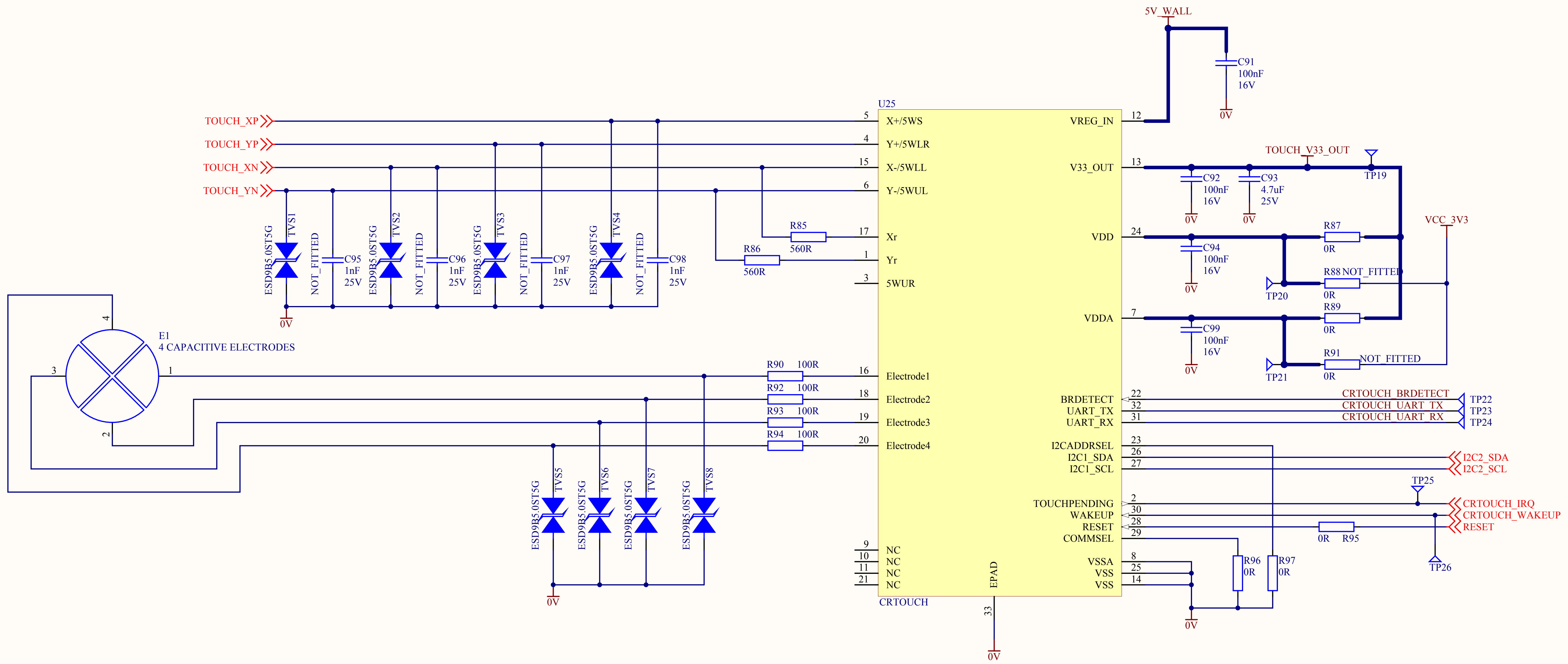


RS232 Serial

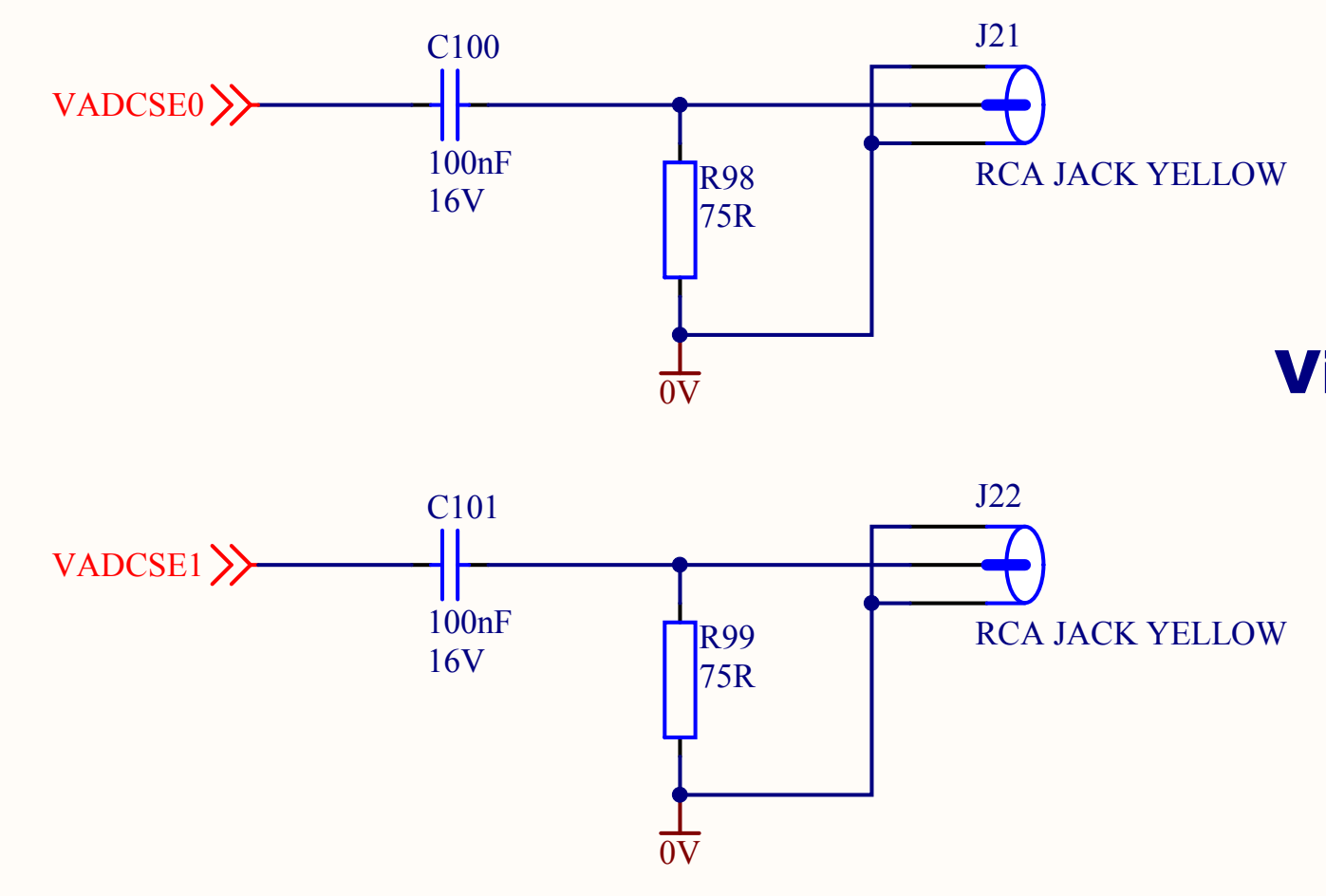


Expansion

Title: SD & Expansion		Drawn By: MAB	 PO Box 131 Rolleston, 7643 New Zealand
Revision: A002	Project: Quartz Development Board	Date: 21/3/2013	
Sheet 0 of 11	Print Date: 9/05/2013	Size: A3	Updated By: *
Confidential Information not to be reproduced without permission from Device Solutions Ltd.,			Date: 9/05/2013
File: QuartzDevKit_SD_Exp_RevA.SchDoc			



Touch-screen controller



Video In

Title: Touch Controller		Drawn By: MAB	 PO Box 131 Rolleston, 7643 New Zealand
Revision: A002	Project: Quartz Development Board	Date: 21/3/2013	
Sheet 1 of 11	Print Date: 9/05/2013	Size: A3	Updated By: *
Date: 9/05/2013			File: QuartzDevKit_Touch_RevA.SchDoc
Confidential Information not to be reproduced without permission from Device Solutions Ltd.,			