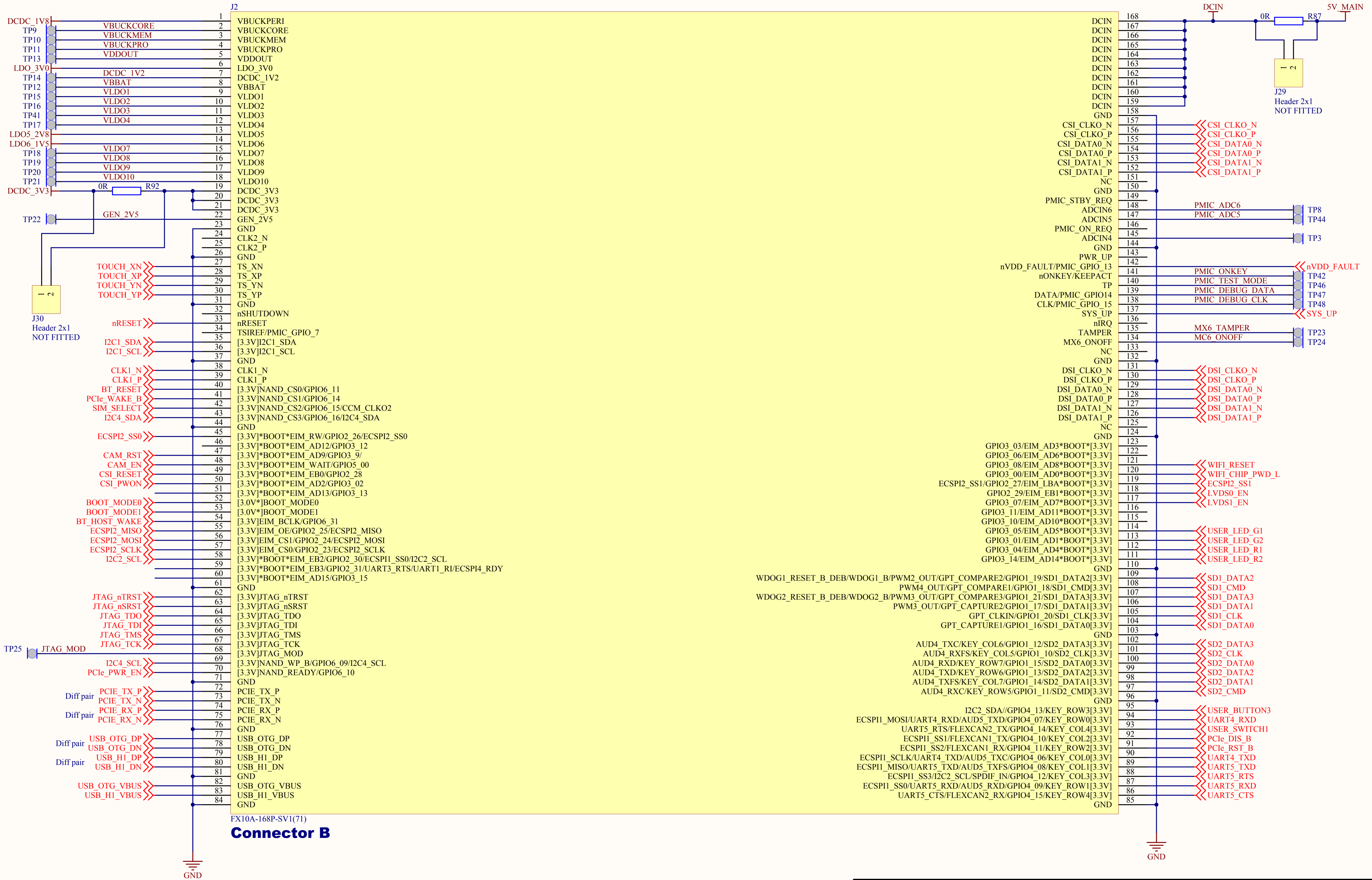


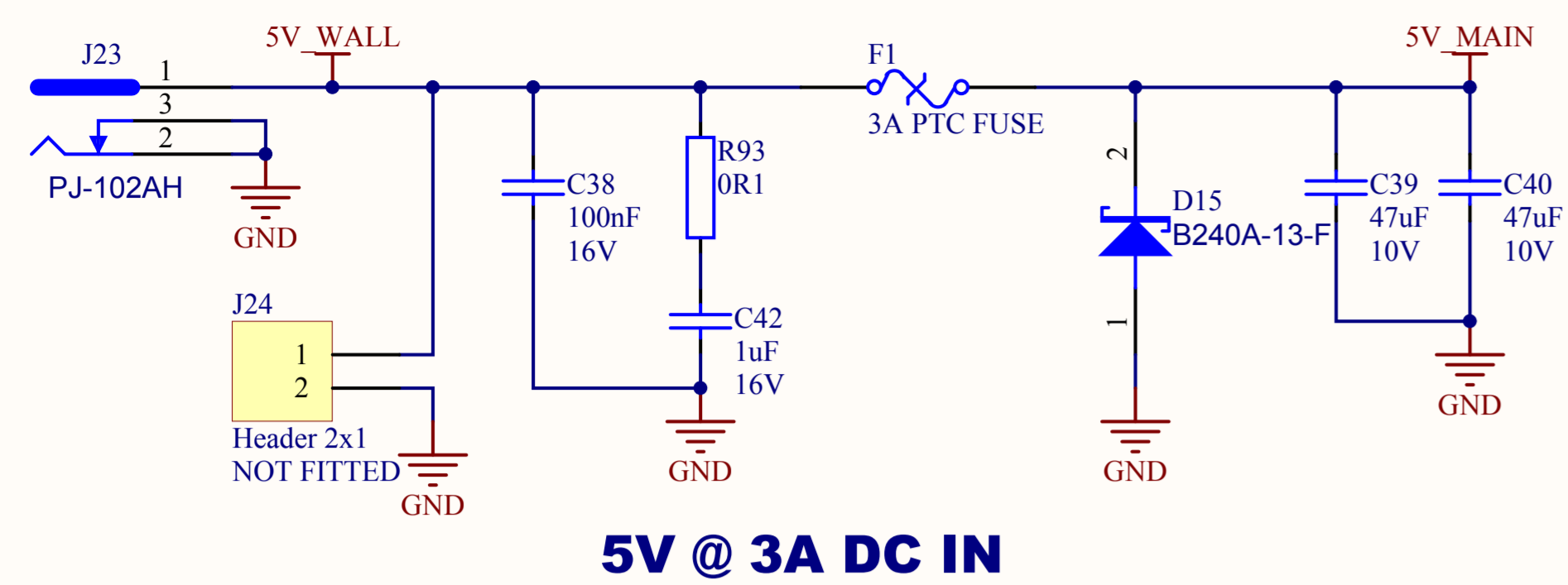
Connector A

Title: Module A		Drawn By: MNW	 PO Box 131 Rolleston, 7643 New Zealand
Revision: A	Project: Opal6 DK	Date: 2 July 2009	
Sheet 1 of 12	Print Date: 10/02/2015	Size: A3	Updated By: *
			Date: 29/10/2014
Confidential Information not to be reproduced without permission from Device Solutions Ltd.,			File: Opal i.MX6SDL Module1.SchDoc

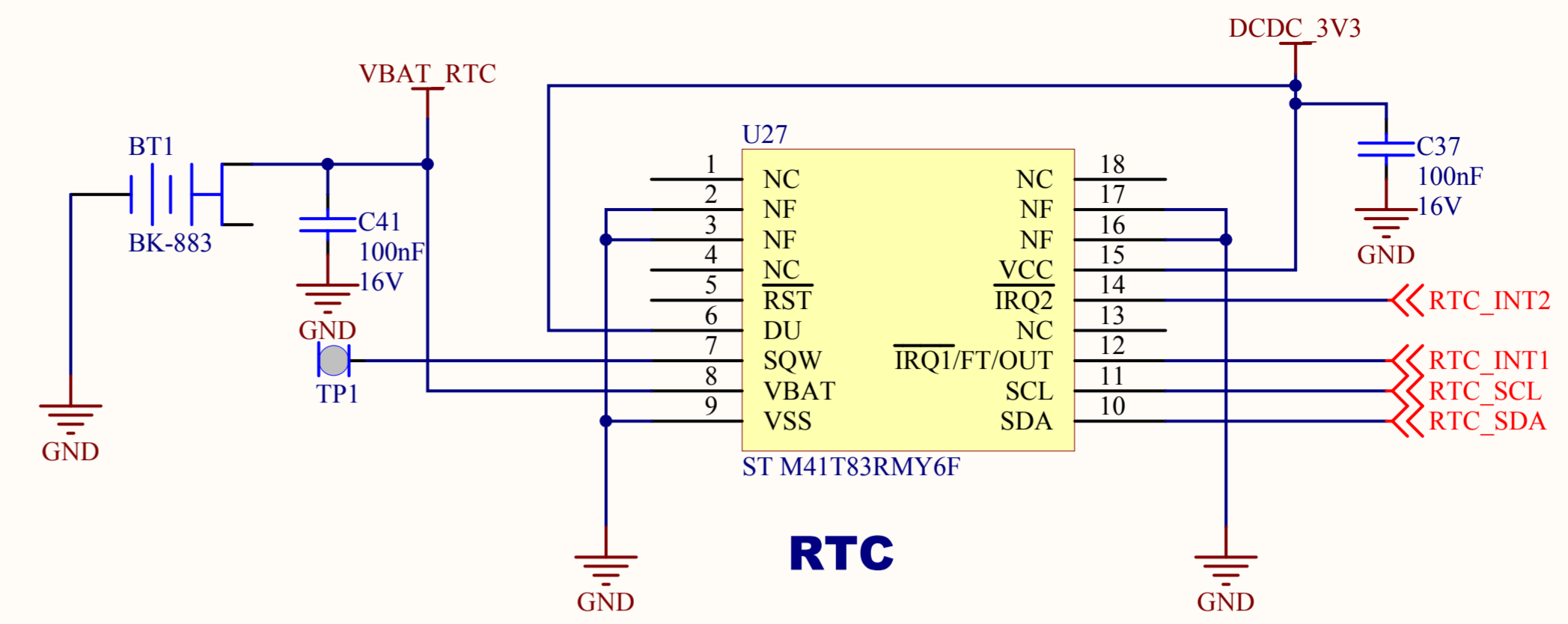


Connector B

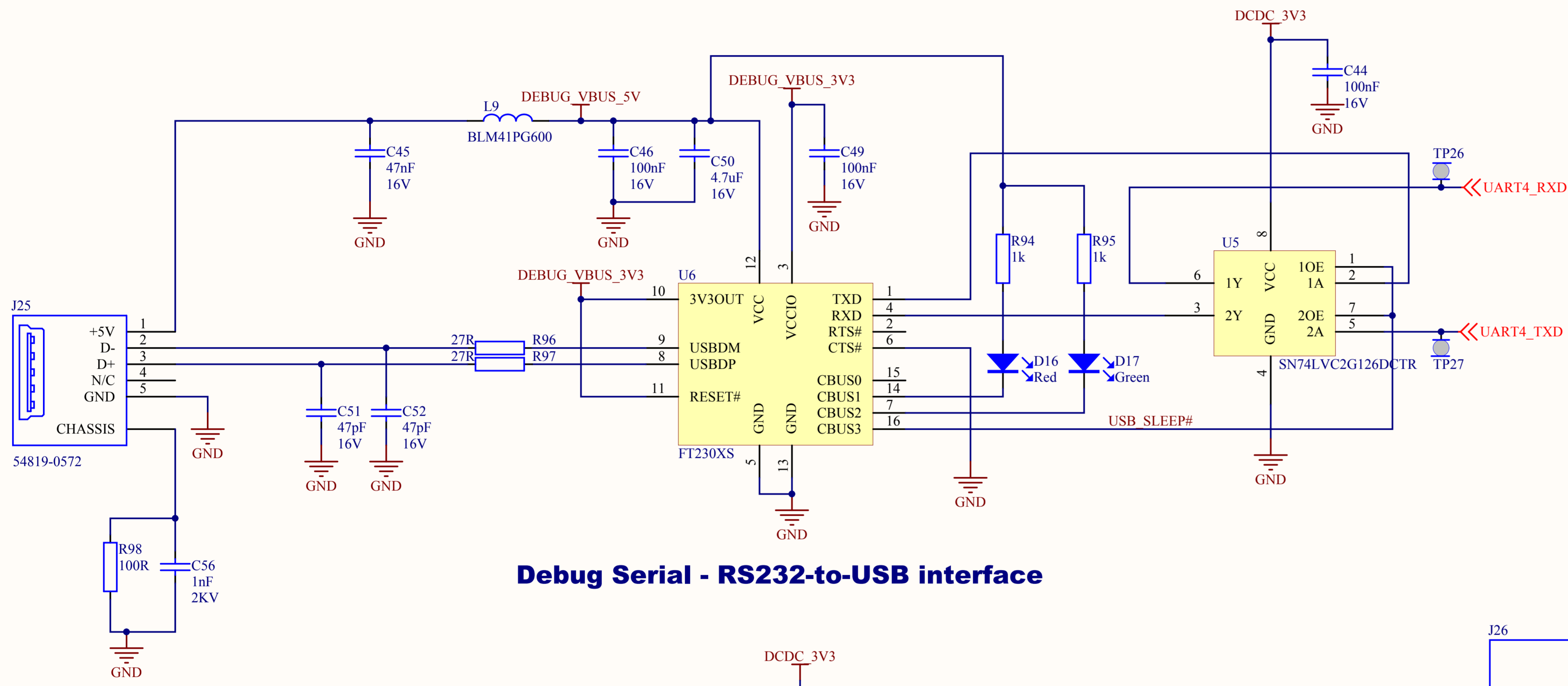
Title: Module B		Drawn By: MNW	
Revision: A	Project: Opal6 DK	Date: 2 July 2009	
Sheet 2 of 12	Print Date: 10/02/2015	Size: A3	Updated By: *
			Date: 29/10/2014
Confidential Information not to be reproduced without permission from Device Solutions Ltd.,			File: Opal i.MX6SDL Module2.SchDoc



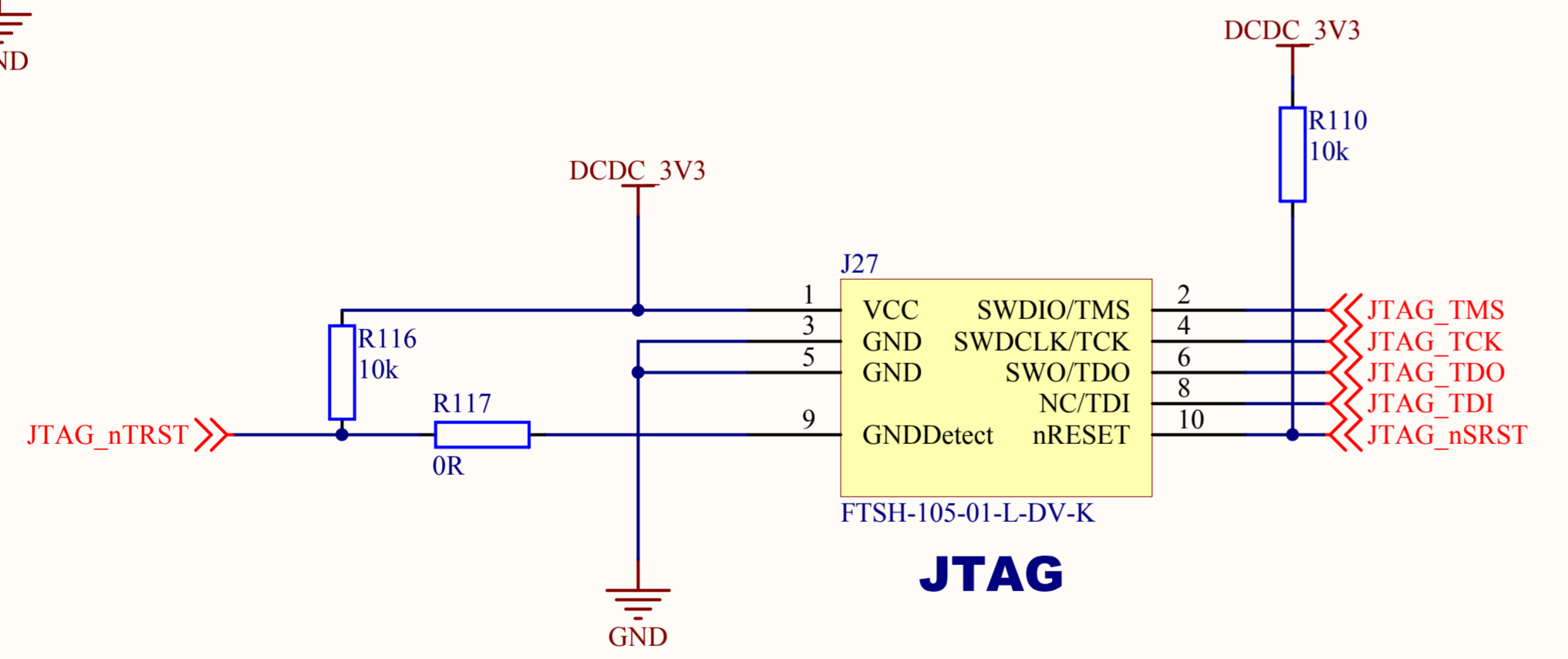
5V @ 3A DC IN



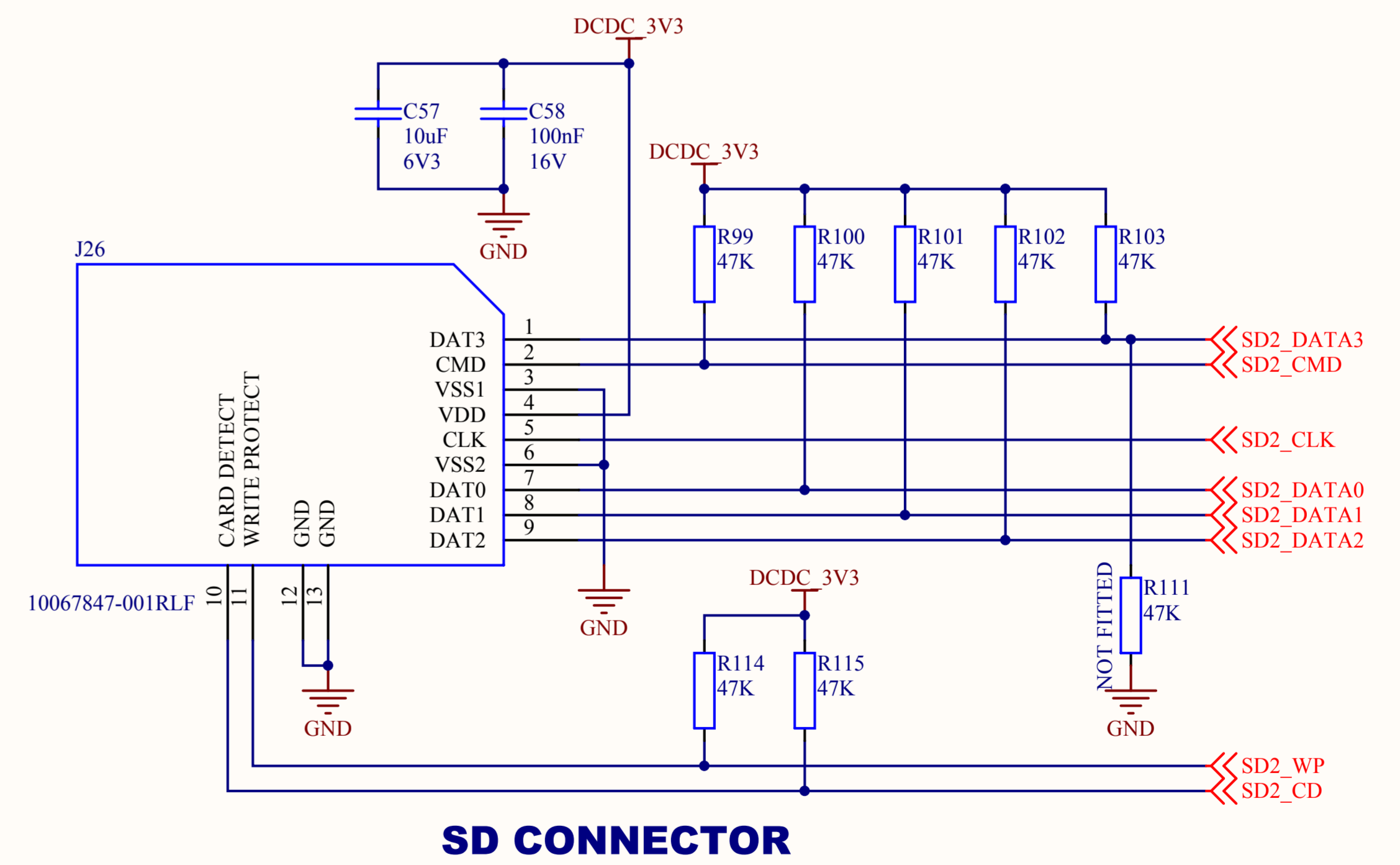
RTC



Debug Serial - RS232-to-USB interface



JTAG



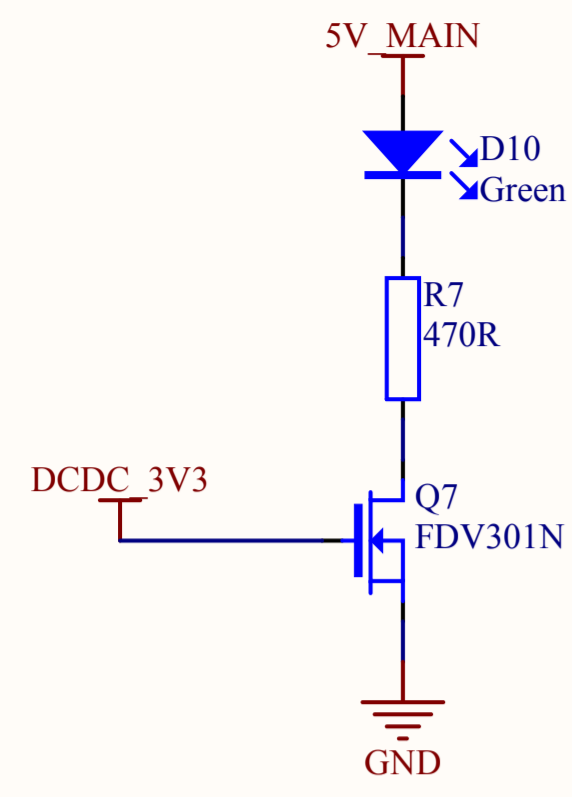
SD CONNECTOR



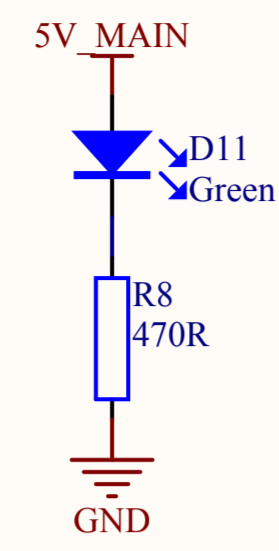
Logo1
Device Solutions Logo
M_Logo

- M1 M3 HOLE
- M2 M3 HOLE
- M3 M2.5 HOLE
- M4 M2.5 HOLE
- M5 M3 HOLE
- M6 M3 HOLE
- M7 M2.5 HOLE

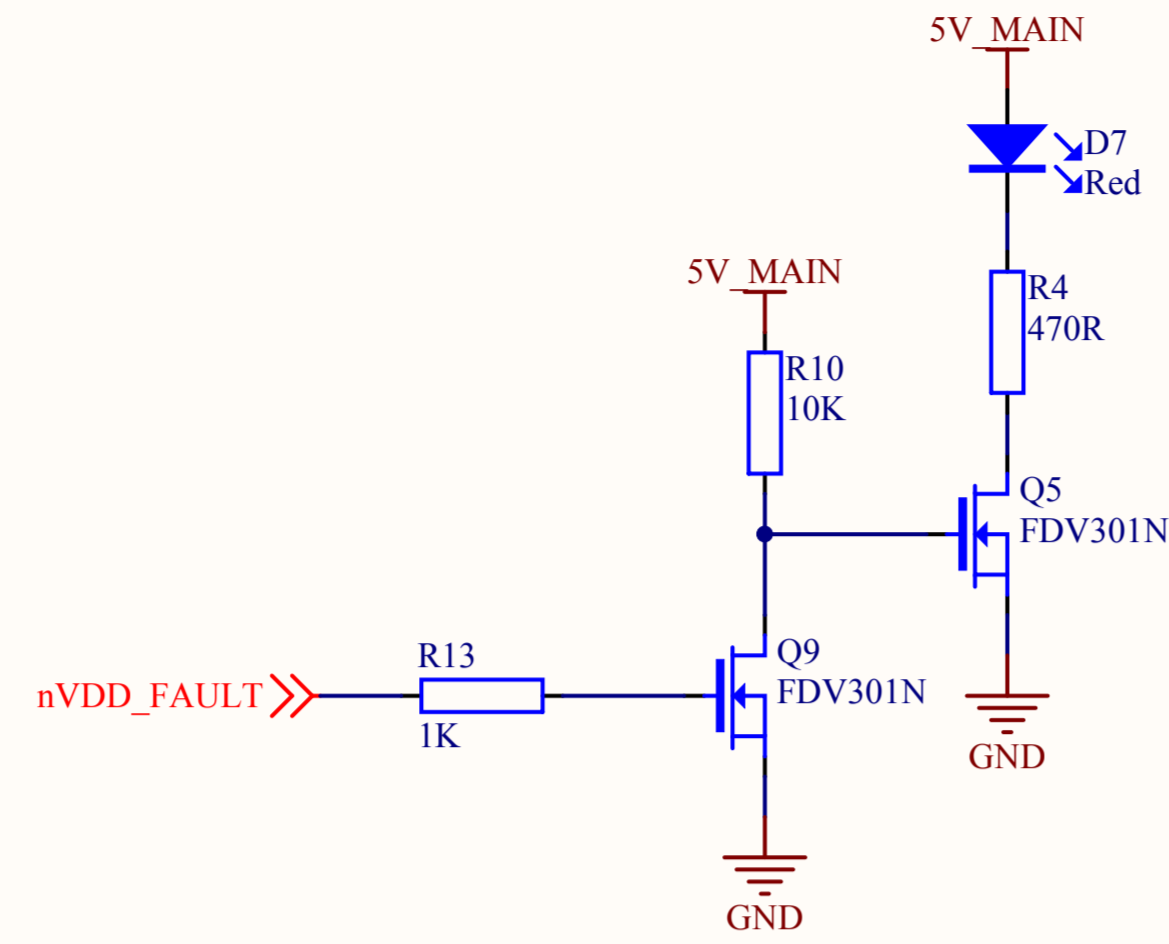
Title: Misc 1		Drawn By: MNW	
Revision: A	Project: Opal6 DK	Date: 2 July 2009	
Sheet 3 of 12	Print Date: 10/02/2015	Size: A3	Updated By: *
Confidential Information not to be reproduced without permission from Device Solutions Ltd.,			Date: 1/12/2014
File: Opal i.MX6SDL Misc1.SchDoc			PO Box 131 Rolleston, 7643 New Zealand



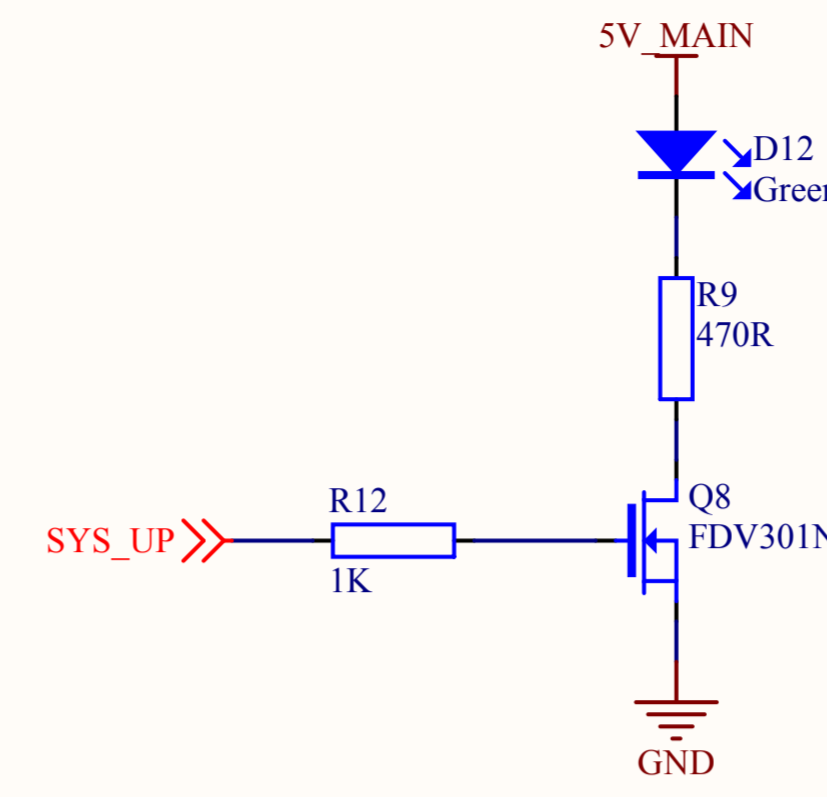
DCDC_3V3



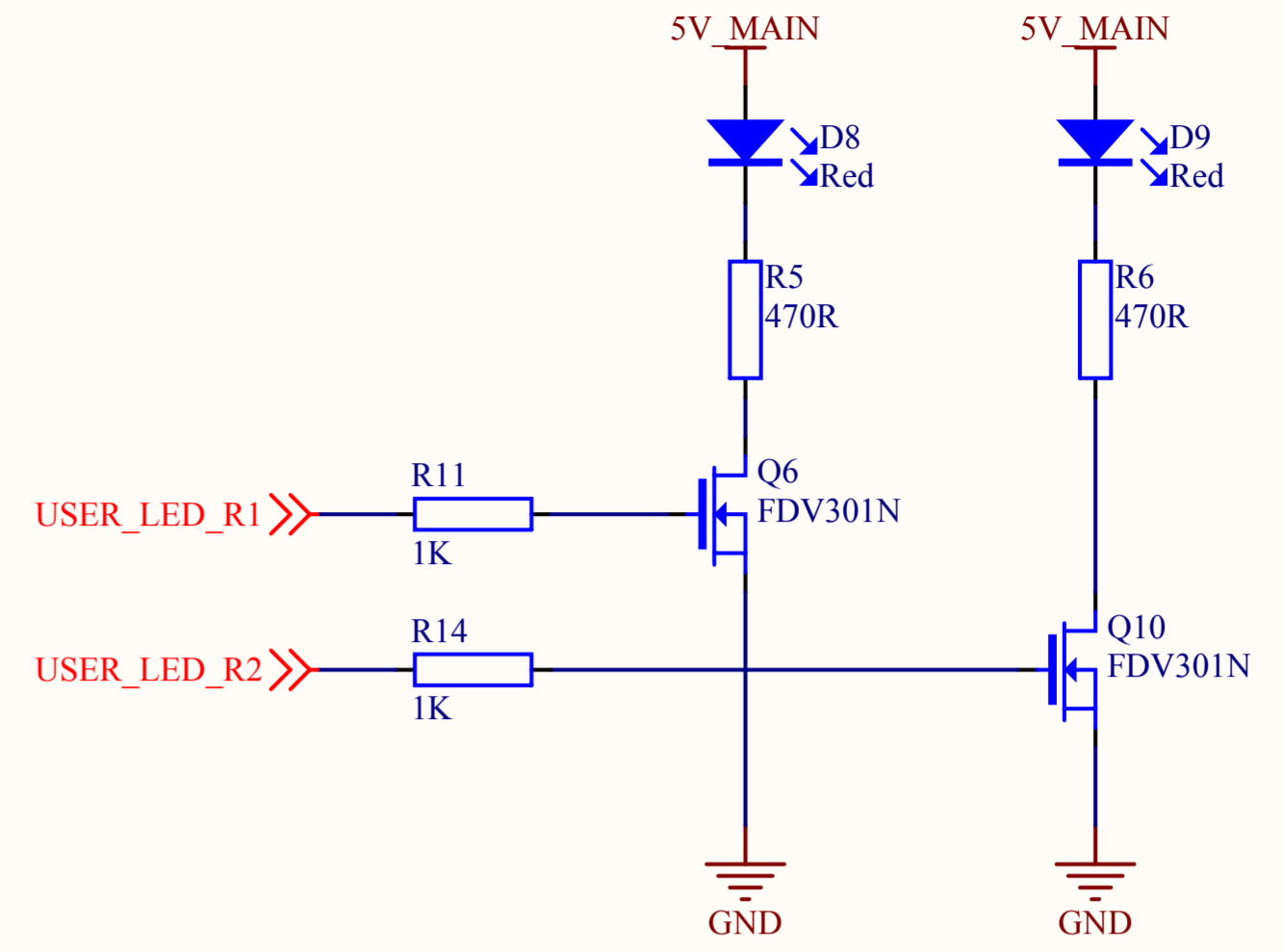
5V_MAIN



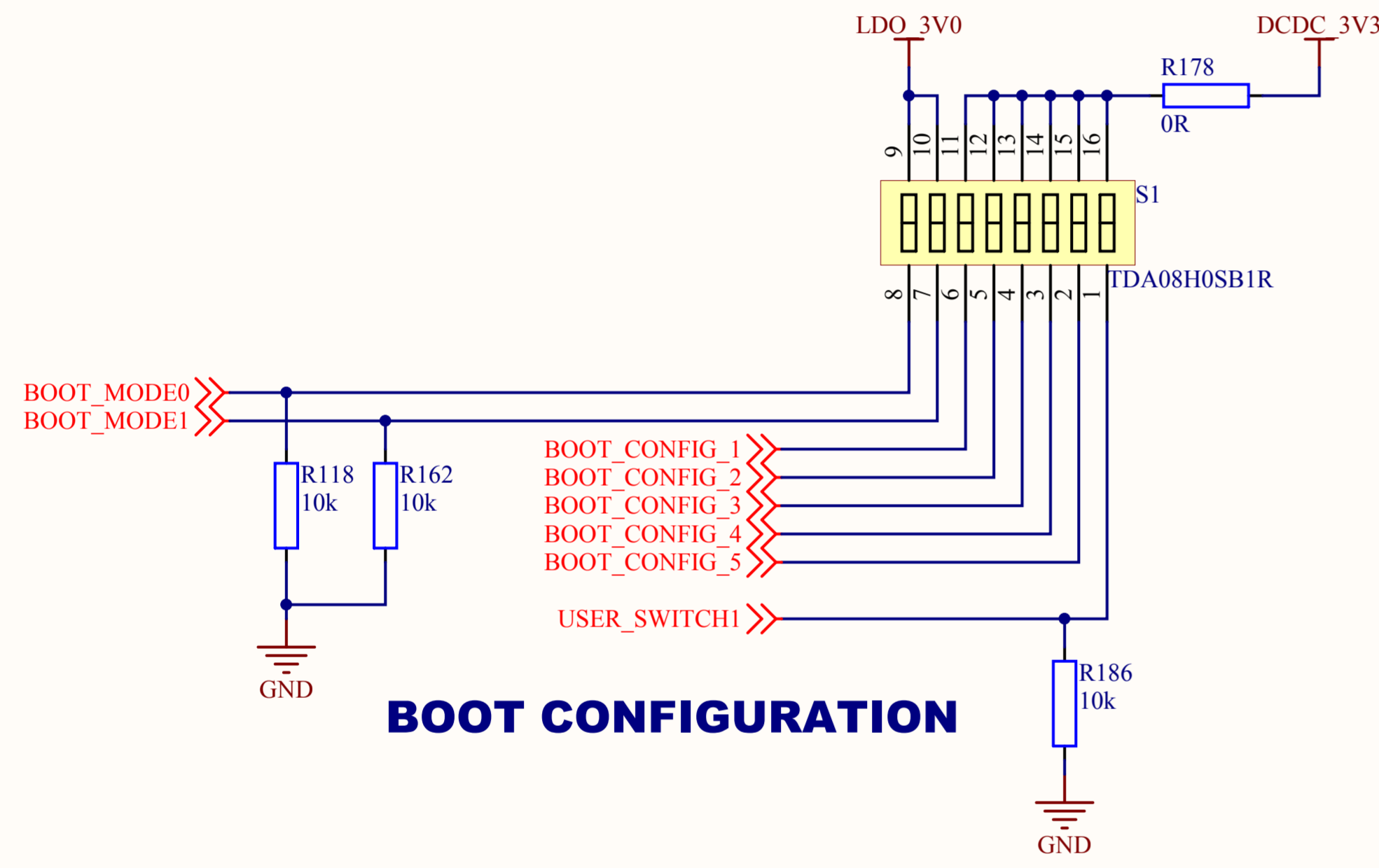
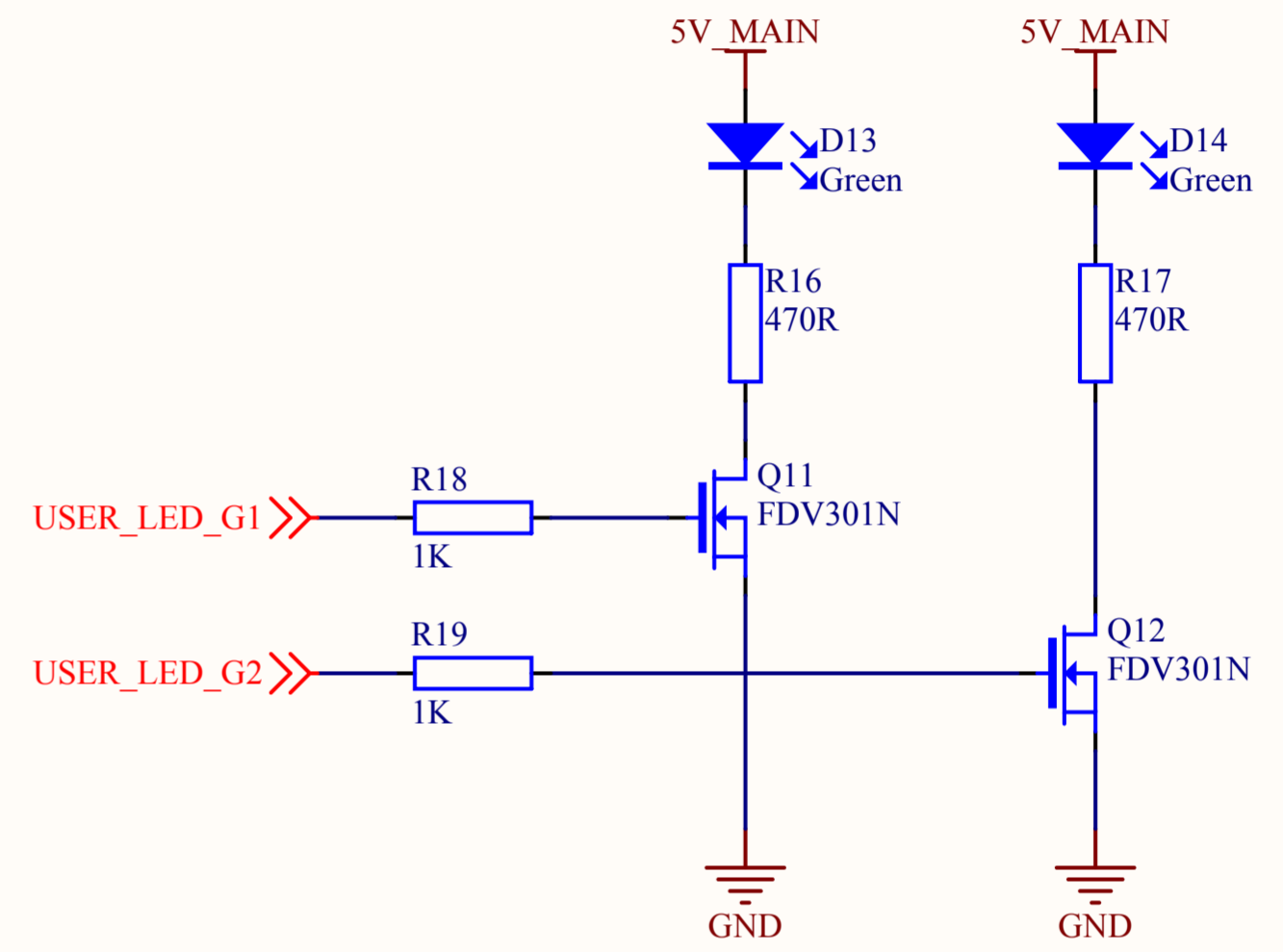
FAULT/STANDBY



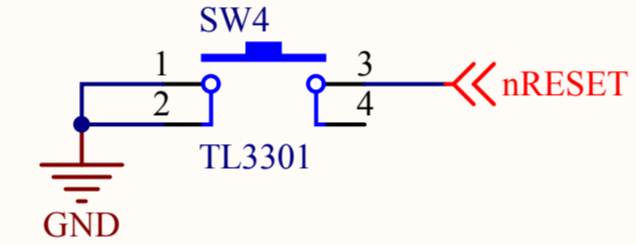
PMIC_PWR



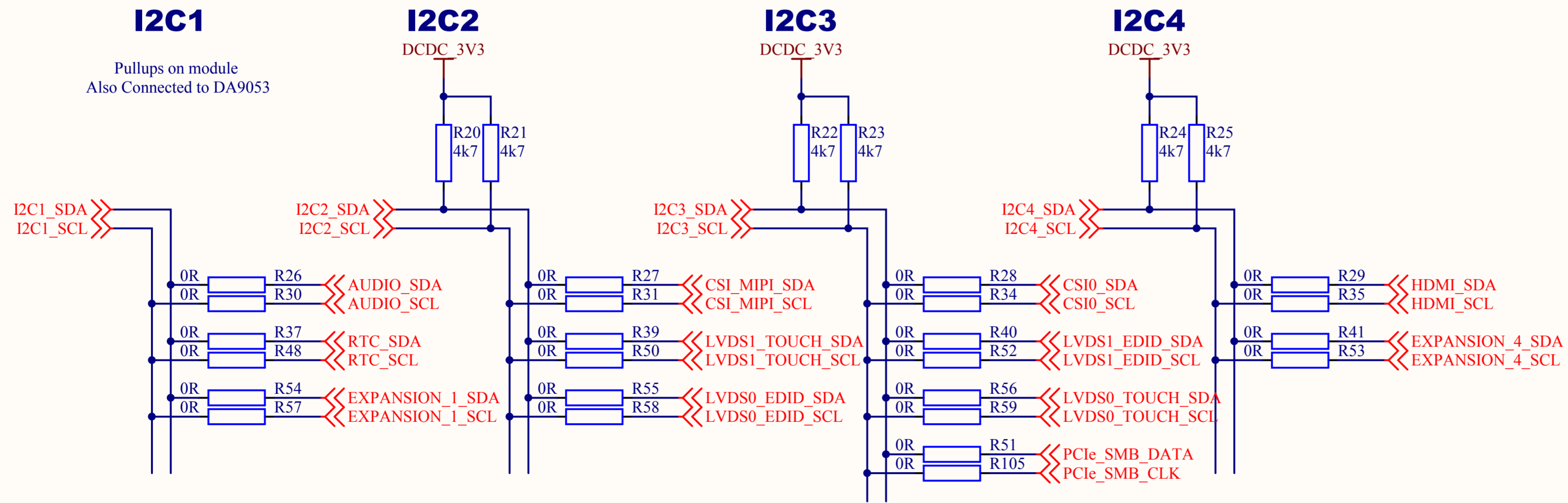
USER LEDs x 4



BOOT CONFIGURATION



RESET

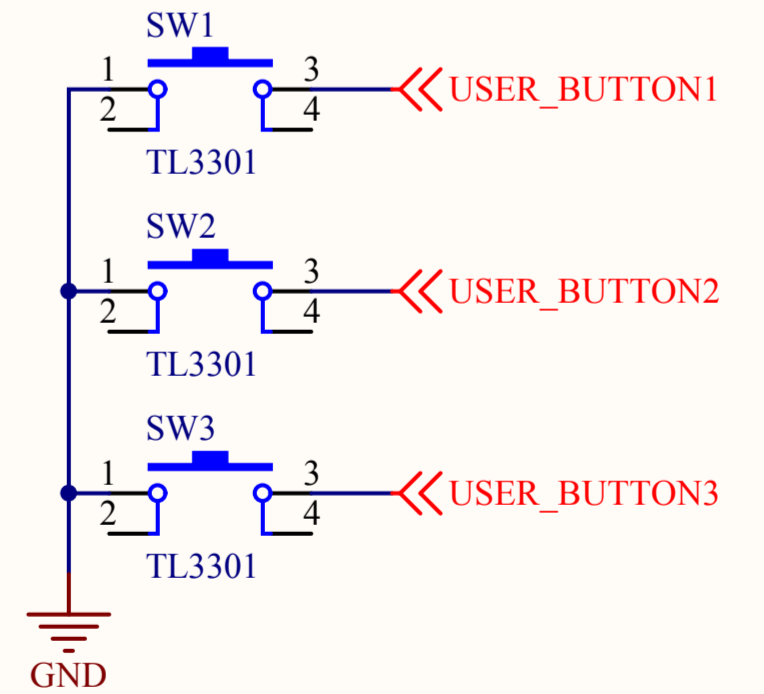


I2C1

I2C2

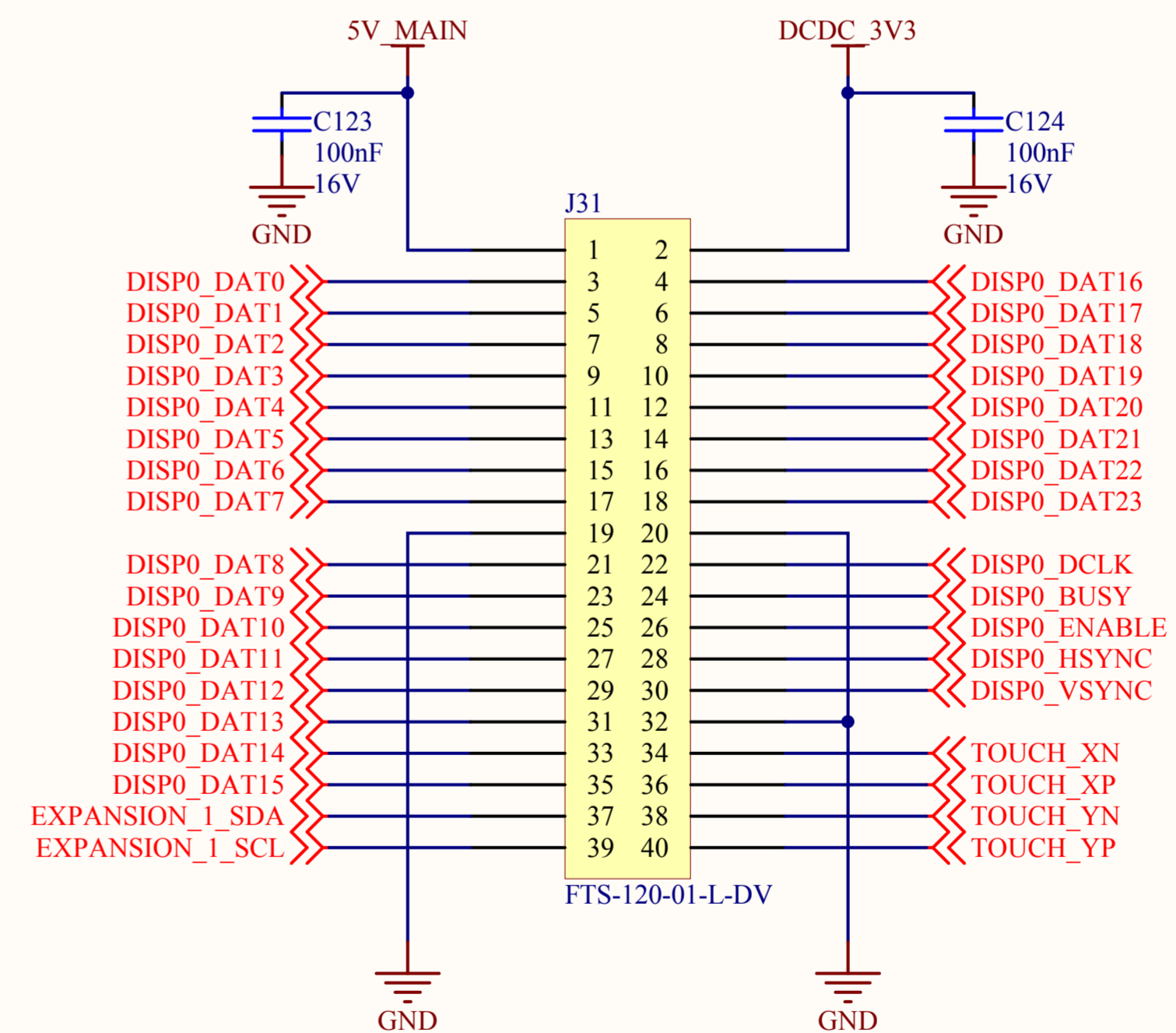
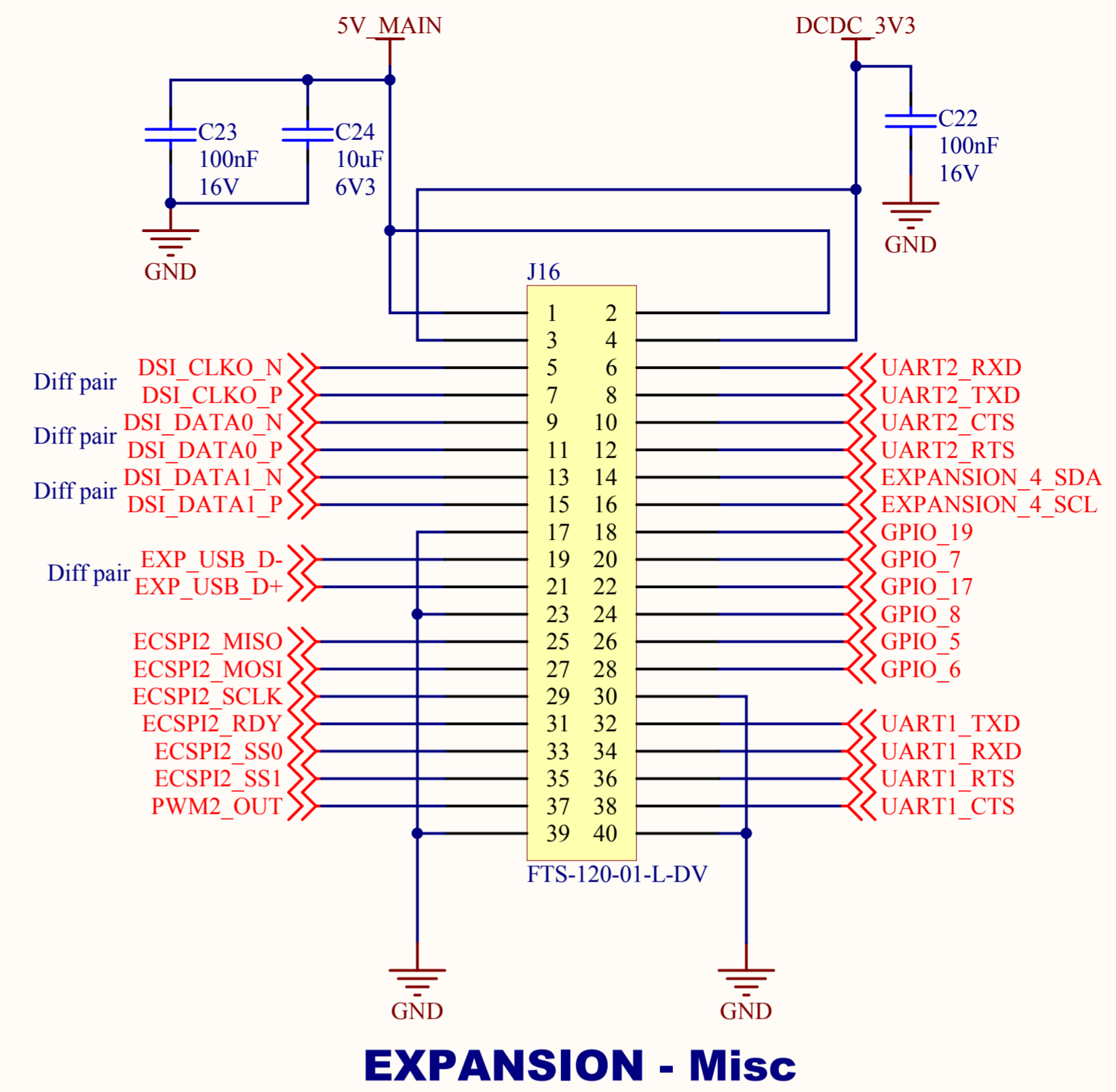
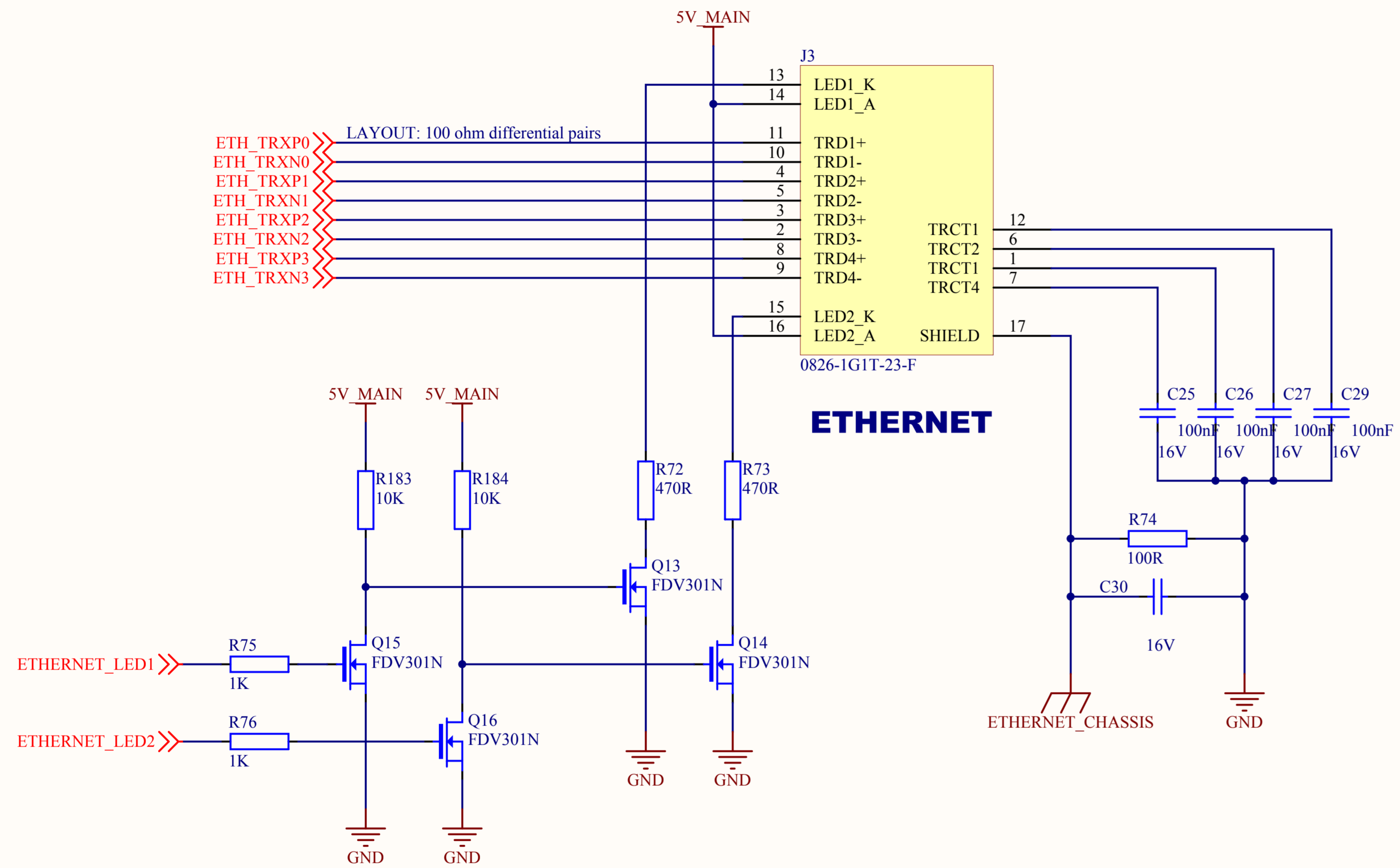
I2C3

I2C4

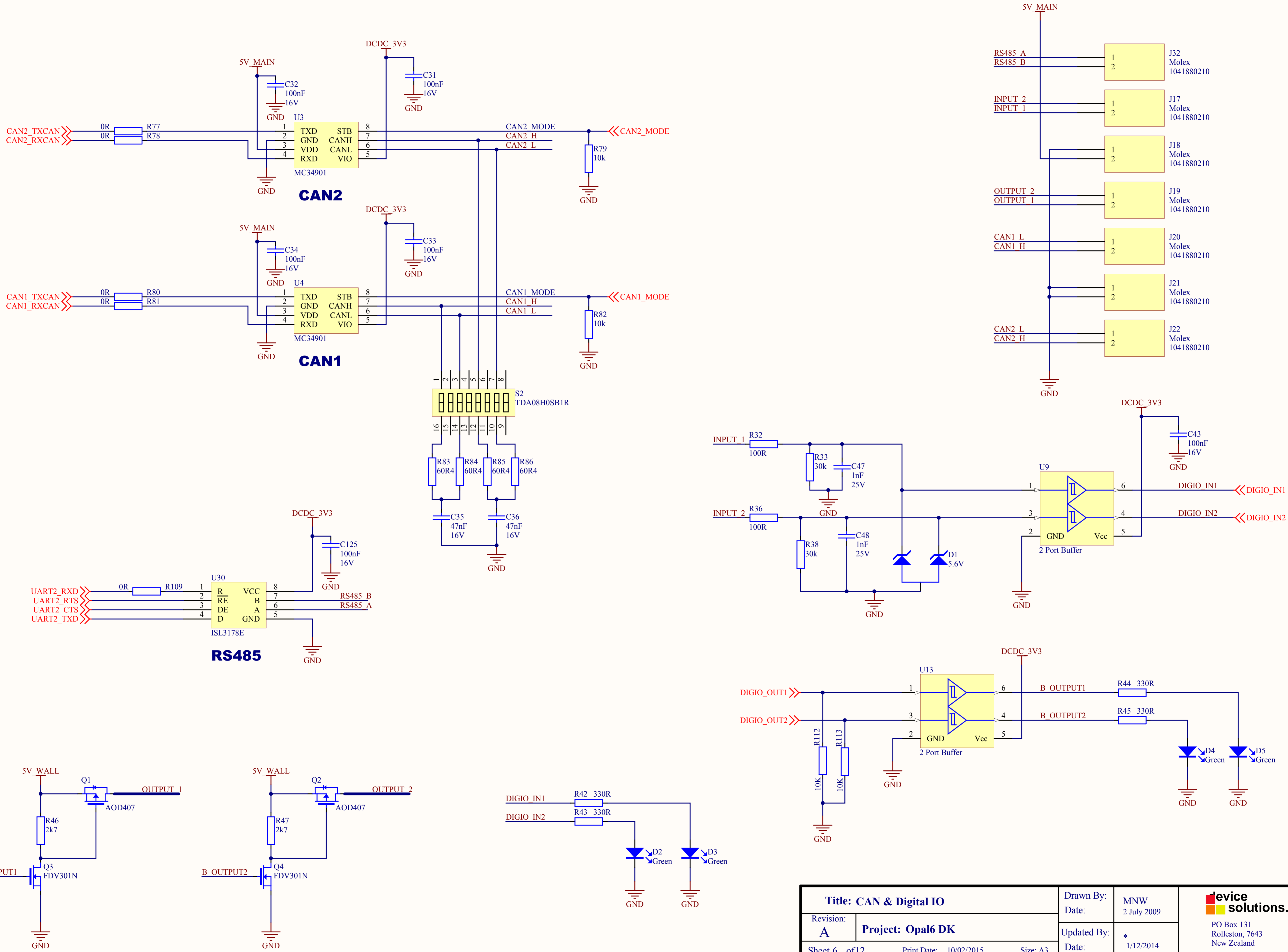


USER BUTTONS x 3

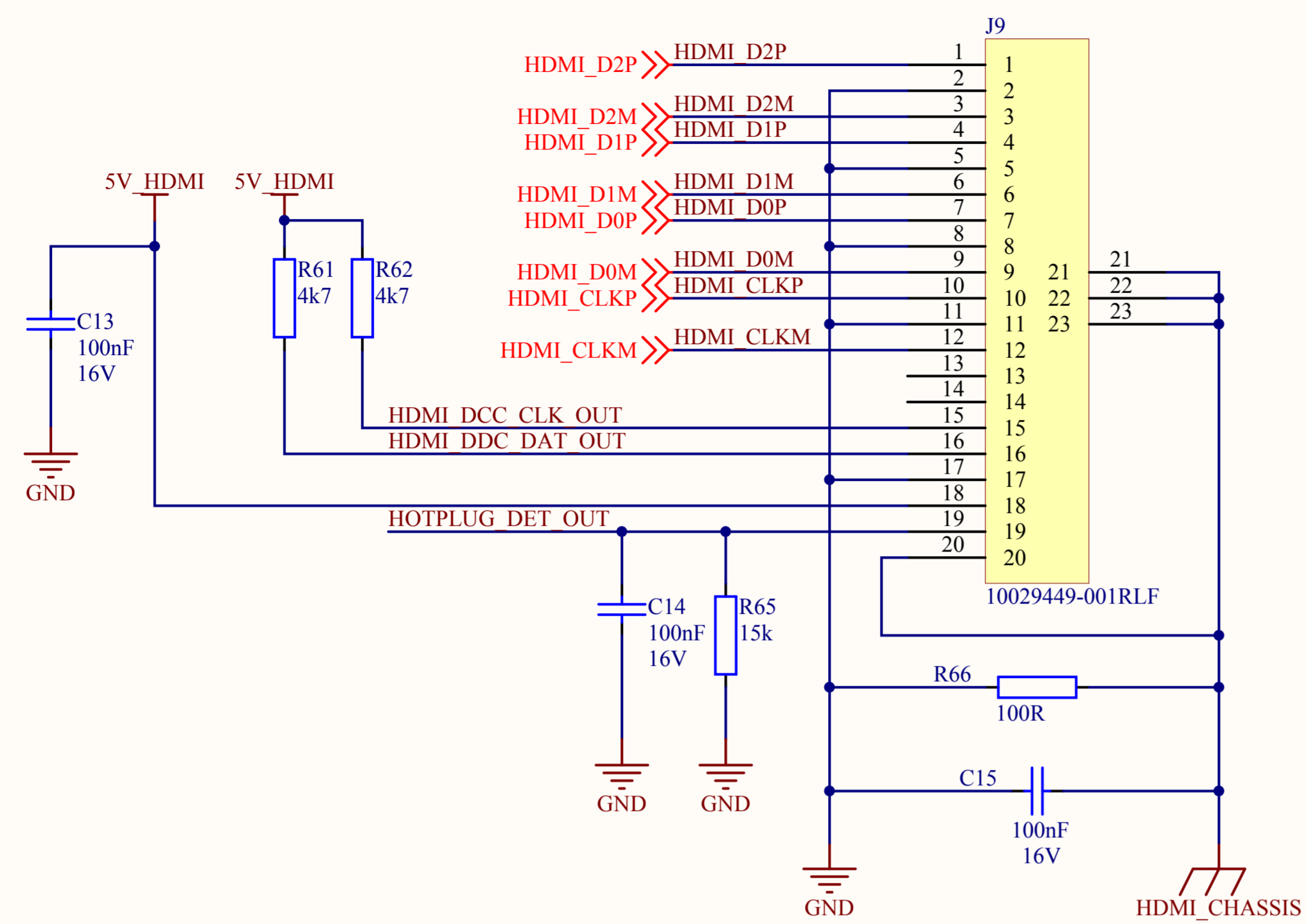
Title: Misc 2		Drawn By: MNW	
Revision: A	Project: Opal6 DK	Date: 2 July 2009	
Sheet 4 of 12	Print Date: 10/02/2015	Size: A3	Updated By: 1/12/2014
Confidential Information not to be reproduced without permission from Device Solutions Ltd.,			File: Opal i.MX6SDL Misc2.SchDoc



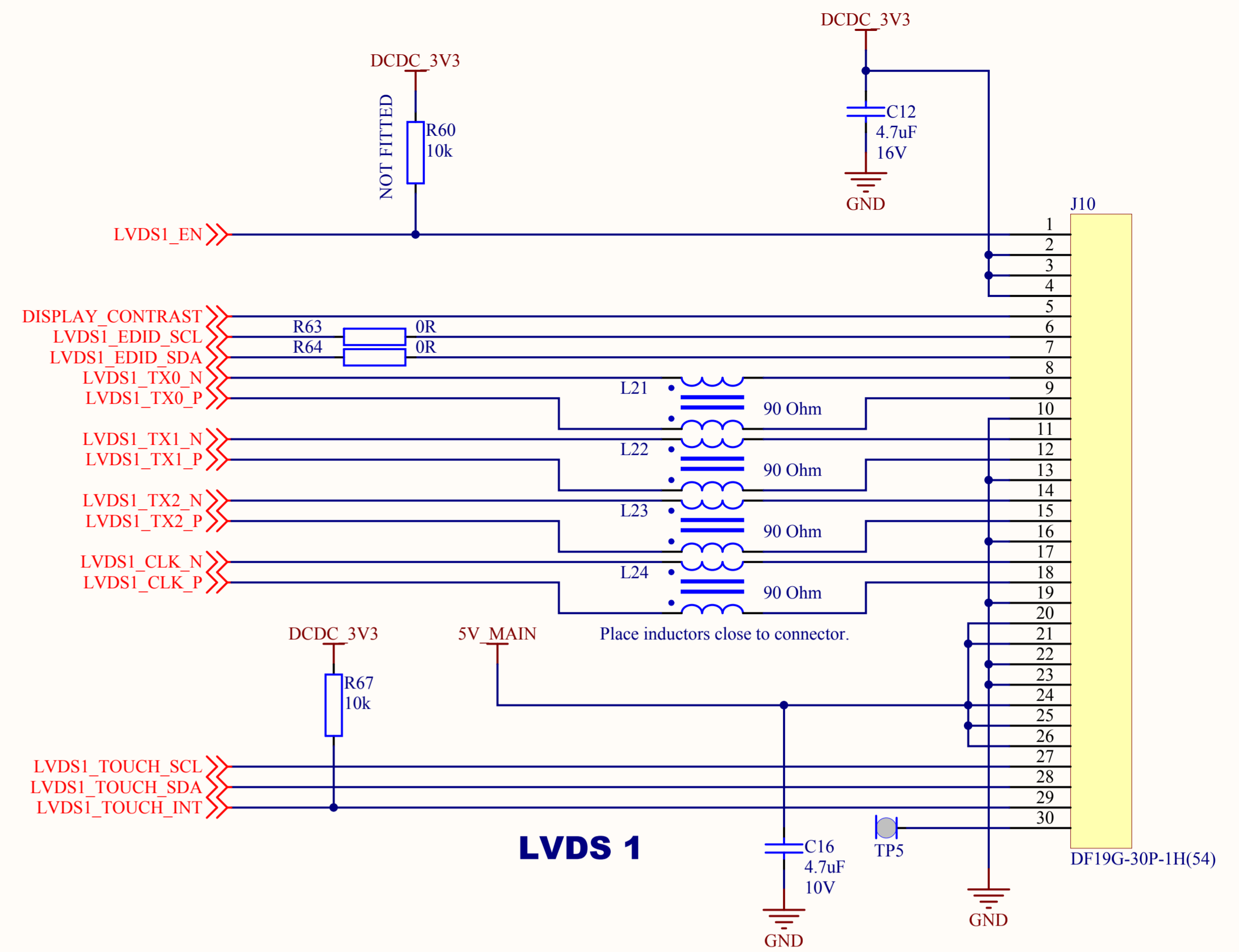
Title: Ethernet & Expansion		Drawn By: MNW	
Revision: A	Project: Opal6 DK	Date: 16 May 2011	
Sheet 5 of 12	Print Date: 10/02/2015	Size: A3	Updated By: *
		Date: 29/10/2014	PO Box 131 Rolleston, 7643 New Zealand
Confidential Information not to be reproduced without permission from Device Solutions Ltd.,			File: Opal i.MX6SDL Ethernet & Expansion_schDoc



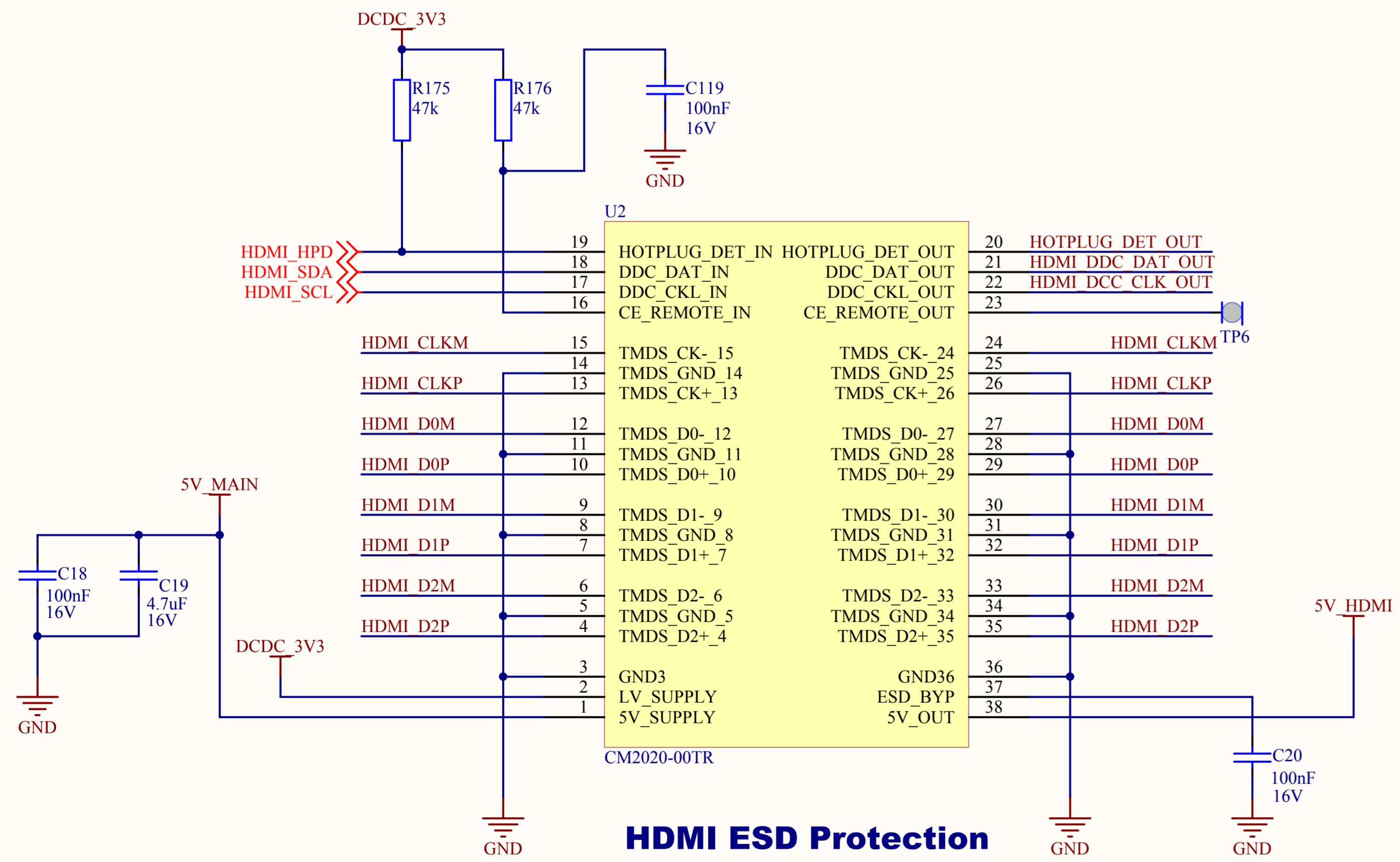
Title: CAN & Digital IO		Drawn By: MNW	device solutions.net
Revision: A	Project: Opal6 DK	Date: 2 July 2009	
Sheet 6 of 12	Print Date: 10/02/2015	Size: A3	Updated By: *
Confidential Information not to be reproduced without permission from Device Solutions Ltd.,			Date: 1/12/2014
File: Opal i.MX6SDL IO.SchDoc			



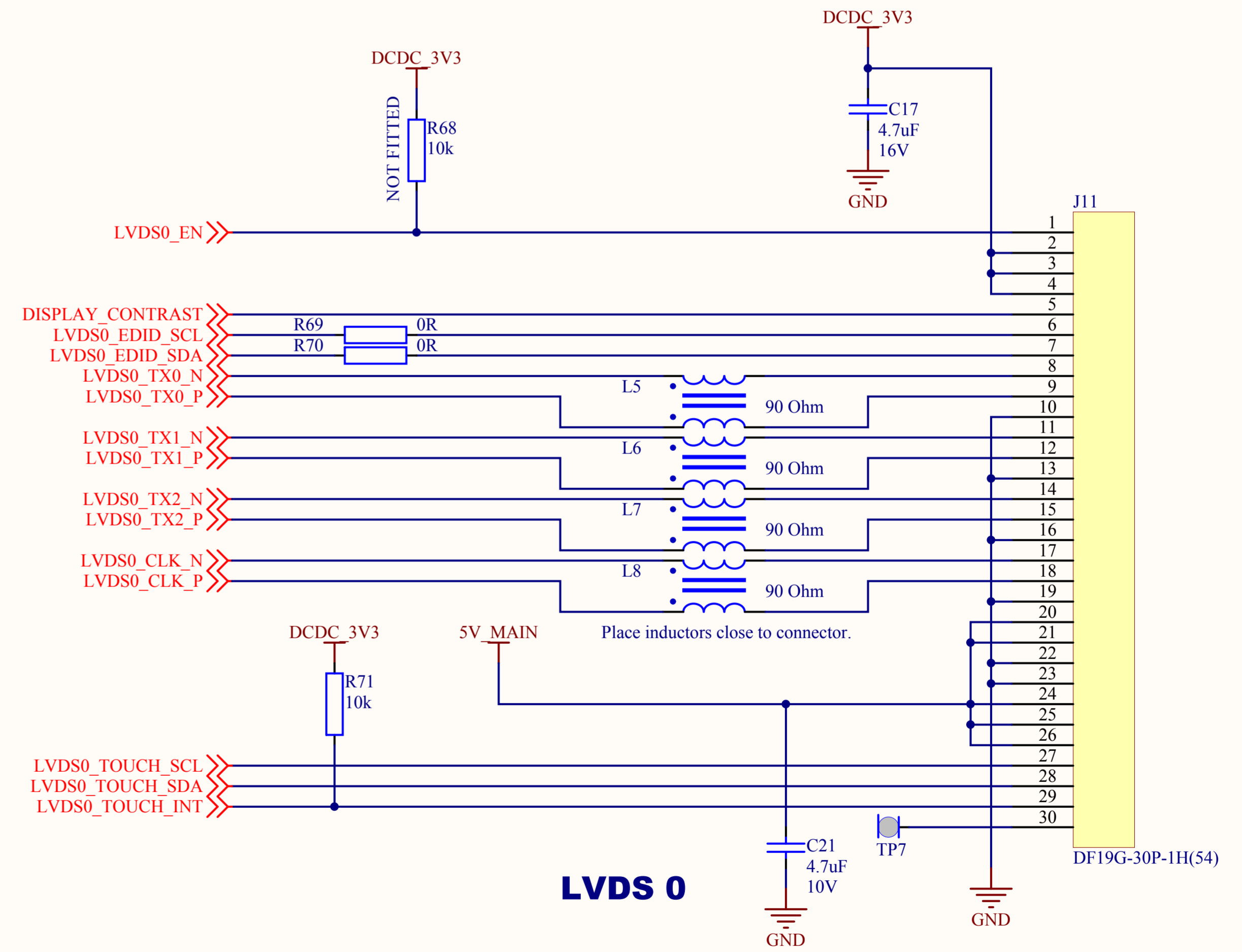
HDMI Connector



LVDS 1

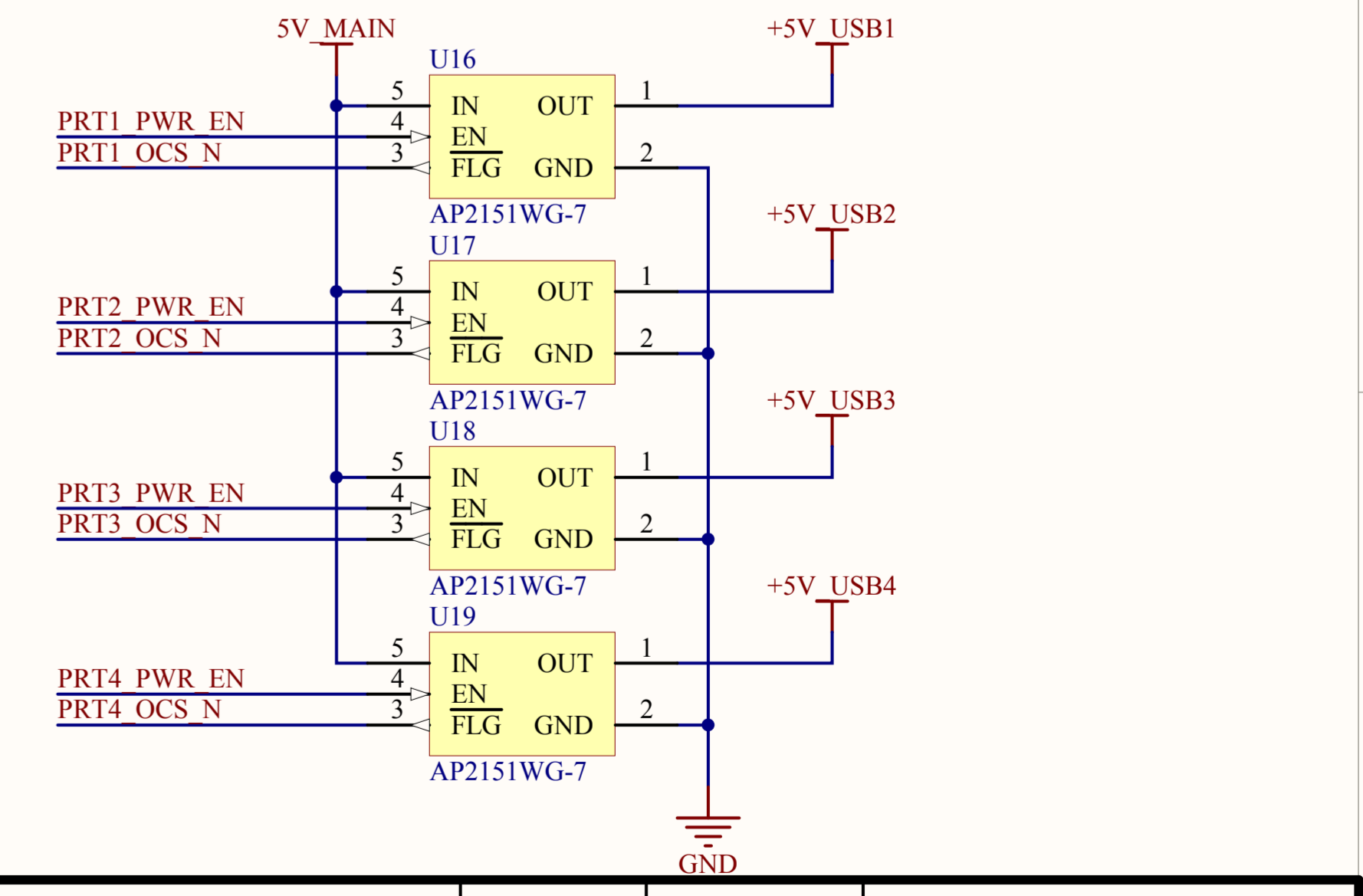
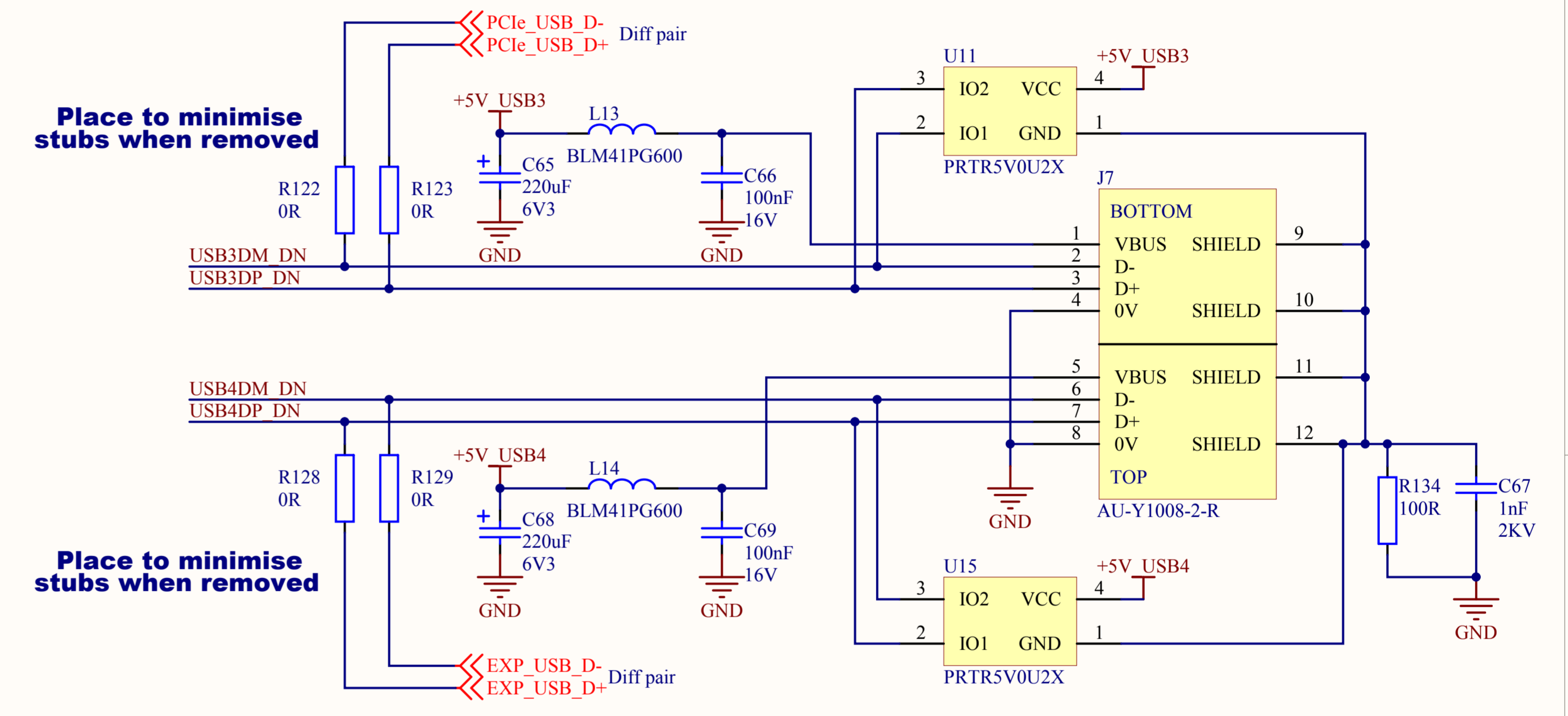
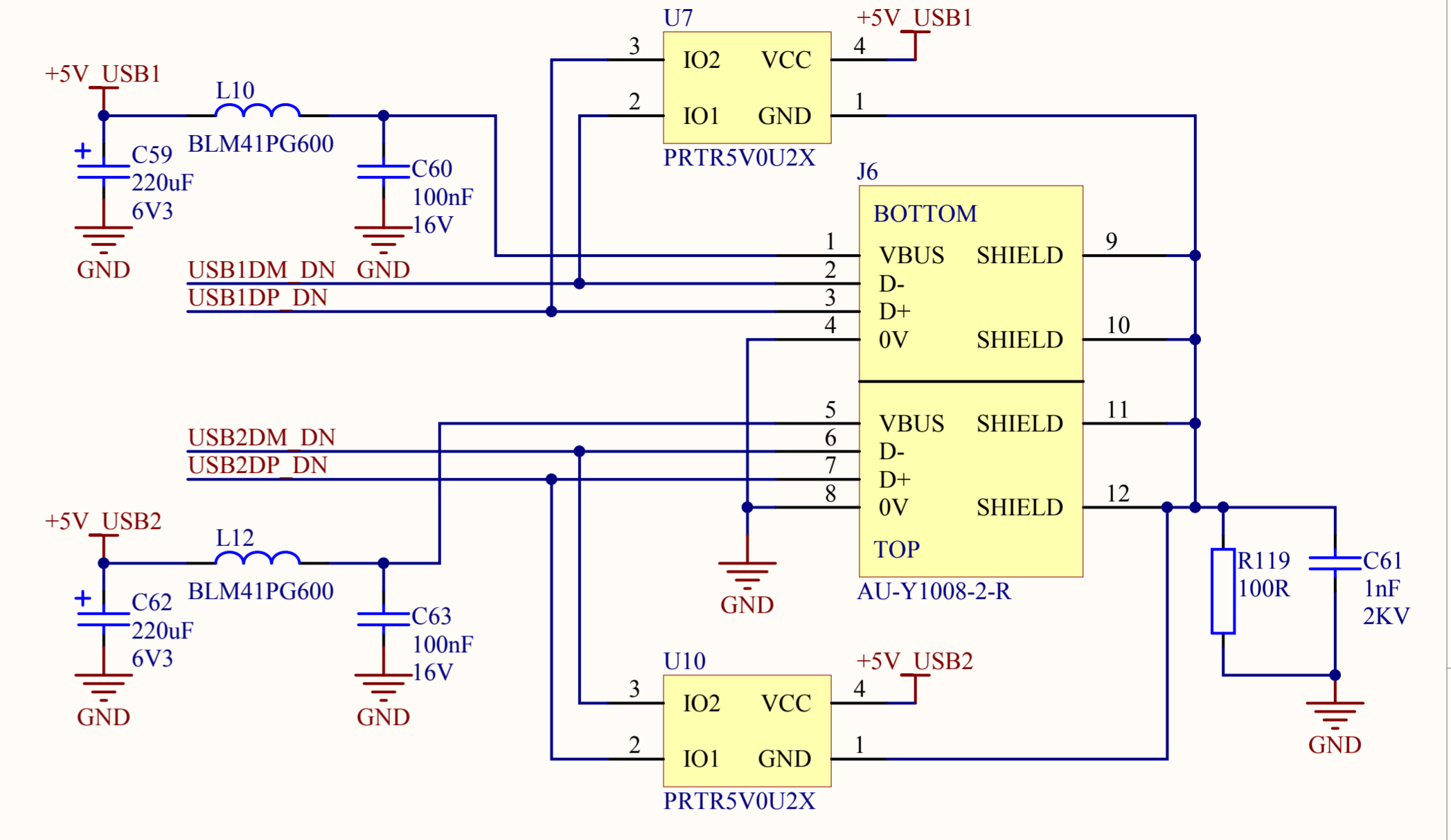
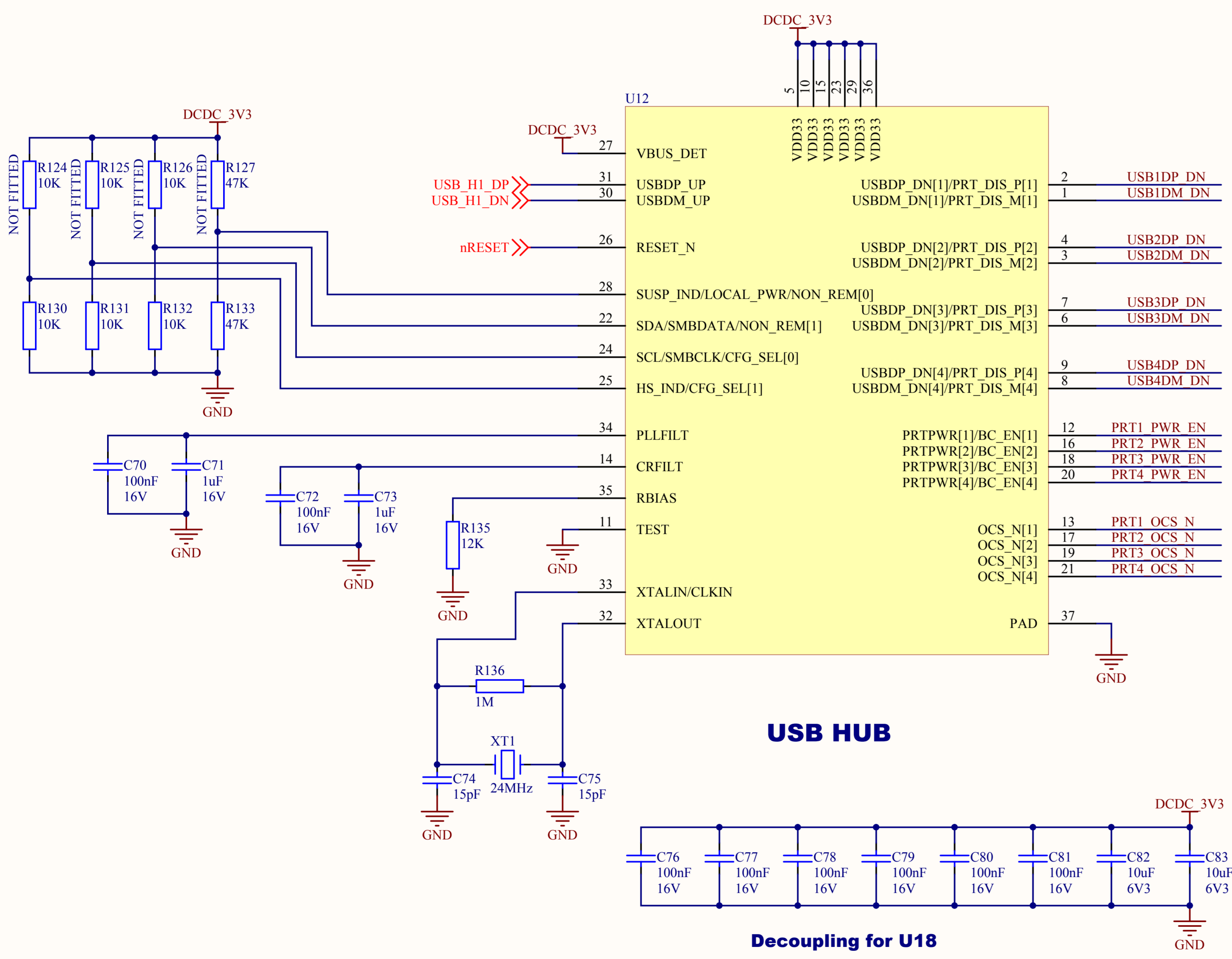
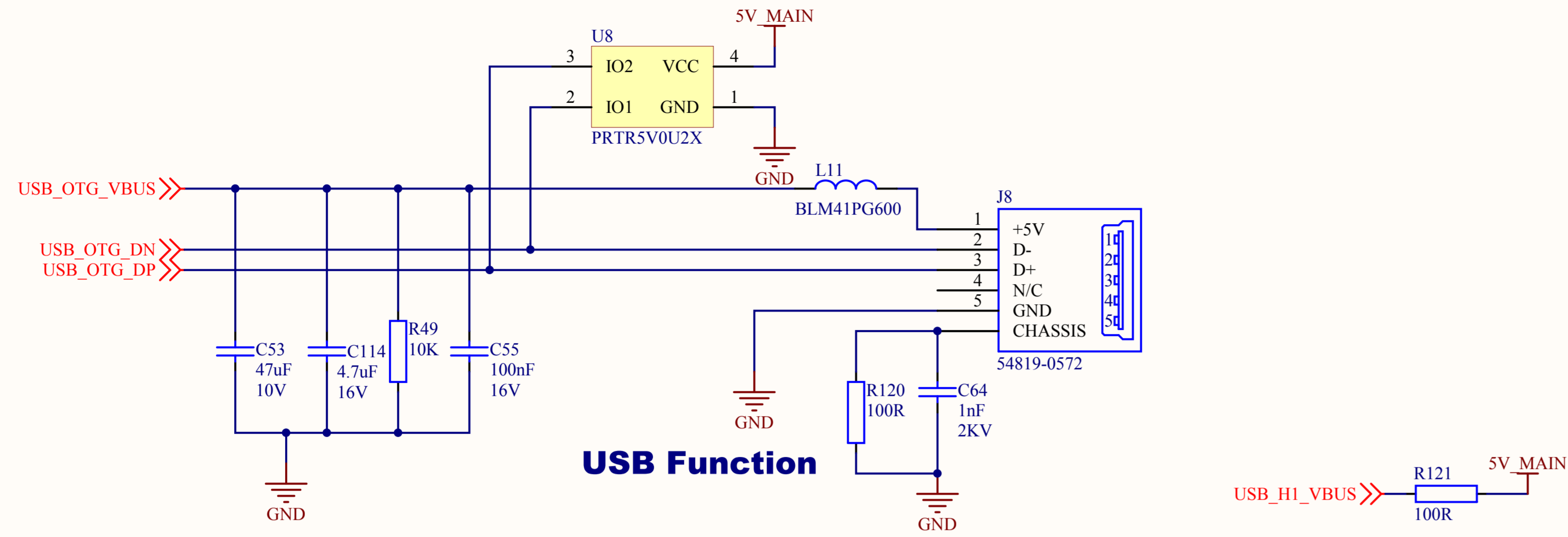


HDMI ESD Protection

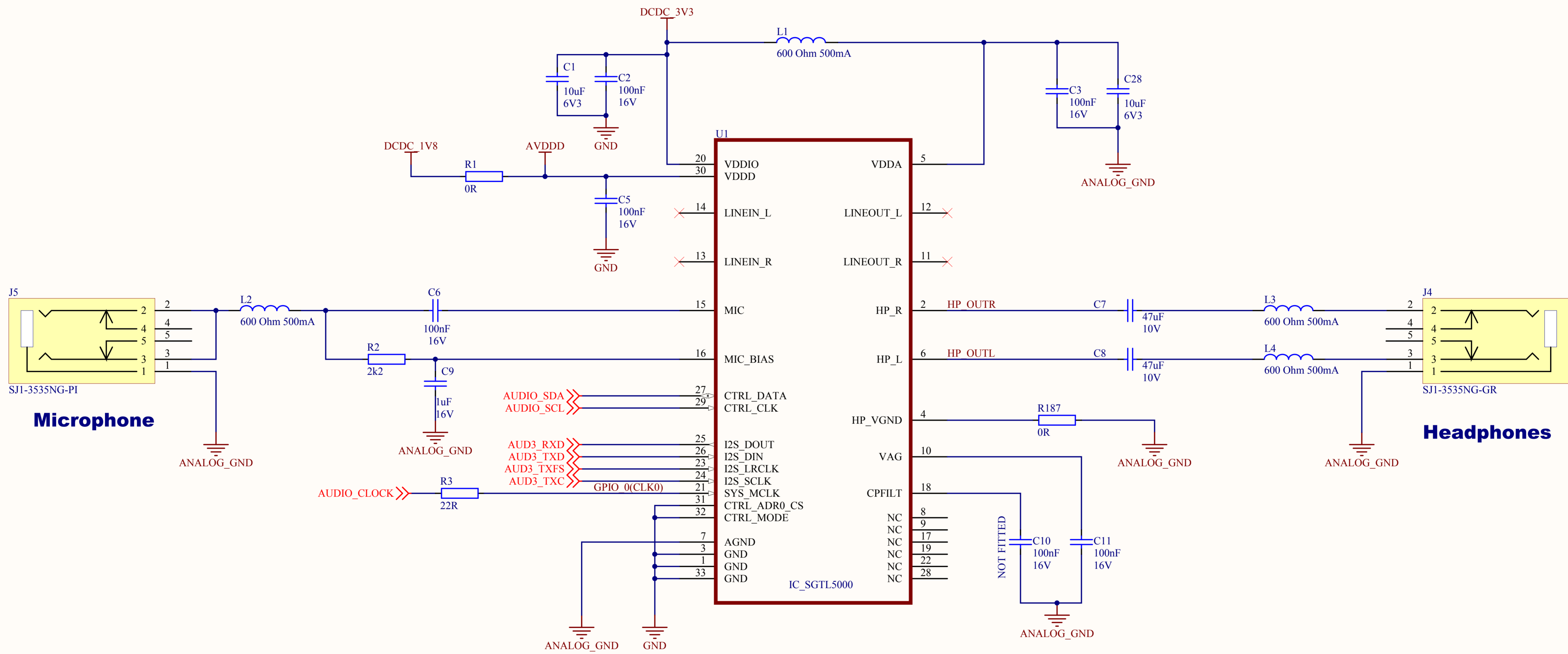


LVDS 0

Title: Displays		Drawn By: MNW	
Revision: A	Project: Opal6 DK	Date: 16 May 2011	
Sheet 7 of 12	Print Date: 10/02/2015	Size: A3	Updated By: *
			Date: 29/10/2014
Confidential Information not to be reproduced without permission from Device Solutions Ltd.,			File: Opal i.MX6SDL Display.SchDoc



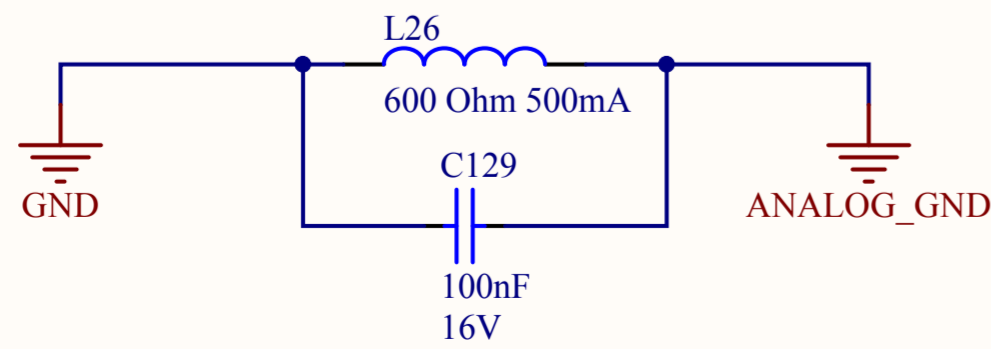
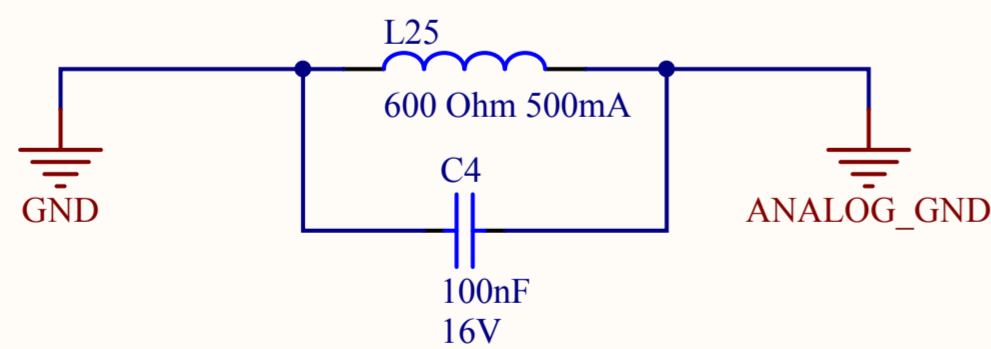
Title: USB		Drawn By: MNW	
Revision: A	Project: Opal6 DK	Date: 16 May 2011	
Sheet 8 of 12	Print Date: 10/02/2015	Size: A3	Updated By: *
		Date: 29/10/2014	PO Box 131 Rolleston, 7643 New Zealand
Confidential Information not to be reproduced without permission from Device Solutions Ltd.,			File: Opal i.MX6SDL USB.SchDoc



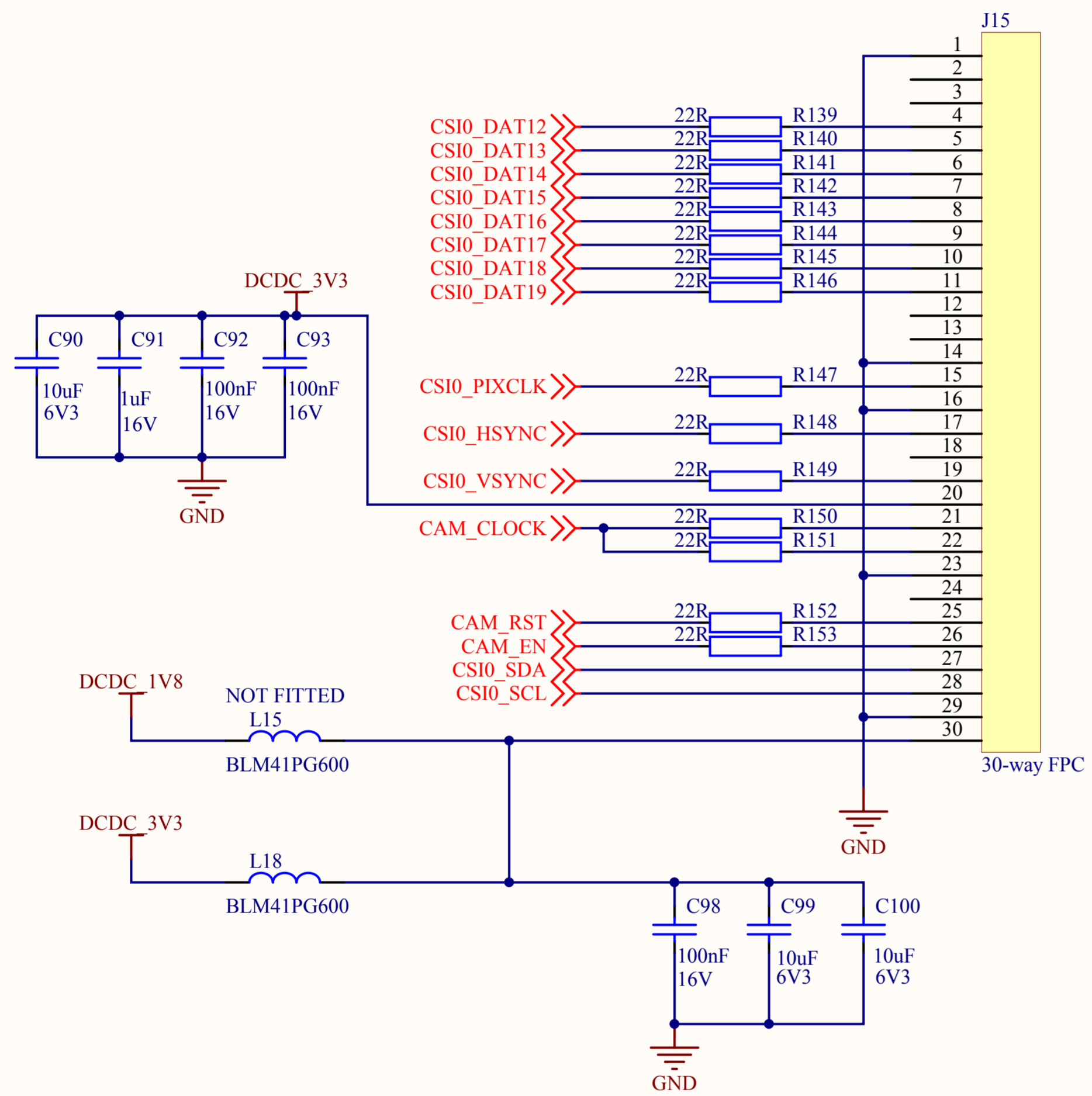
Microphone

Headphones

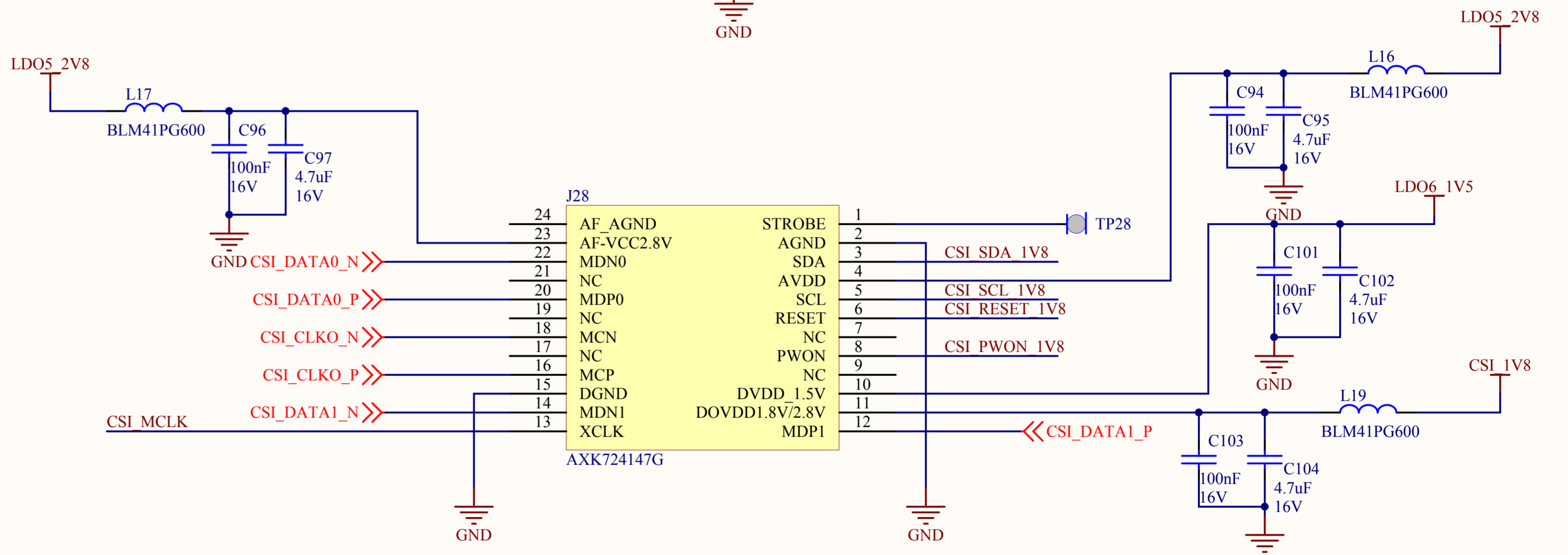
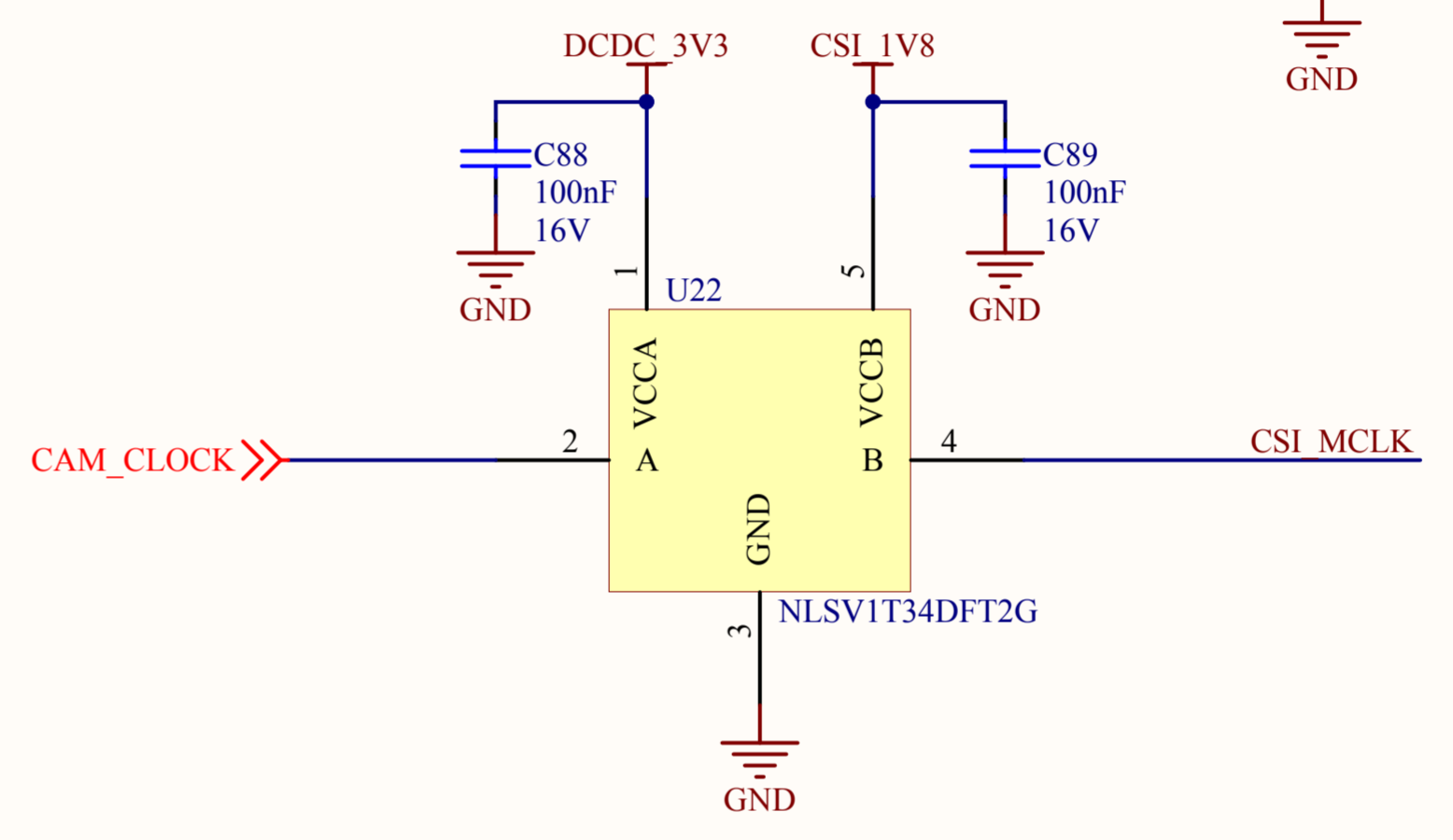
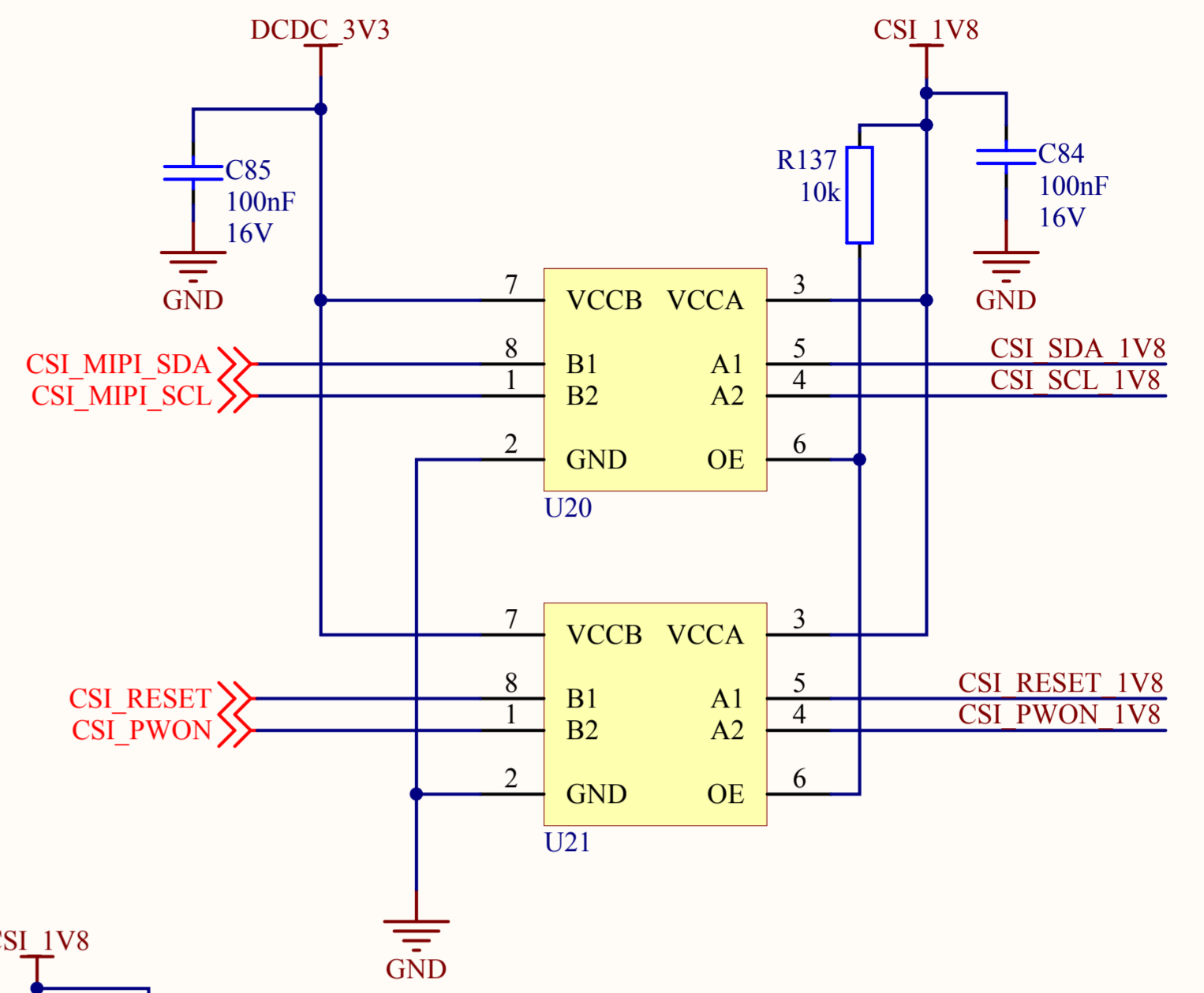
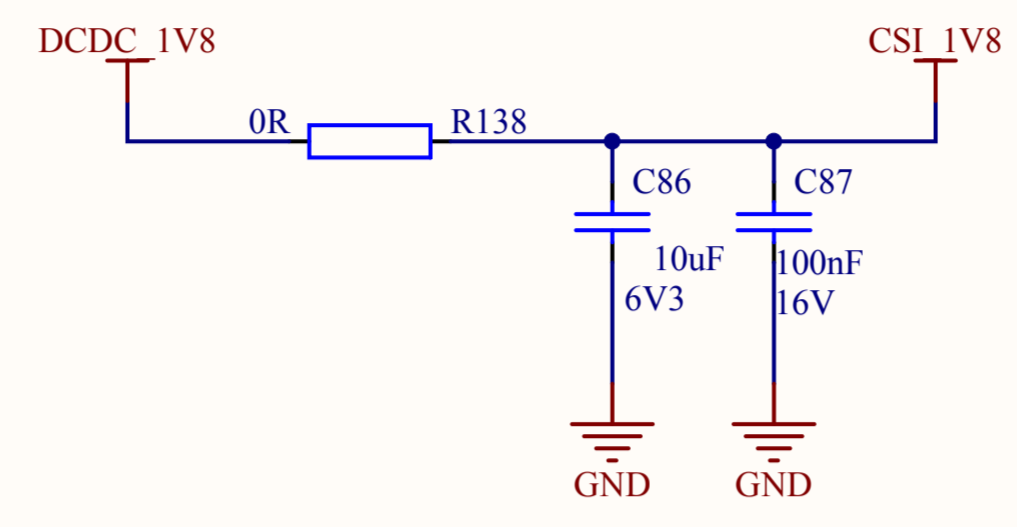
SGTL5000 Audio



Title: Audio		Drawn By: MNW	
Revision: A	Project: Opal6 DK	Date: 2 July 2009	
Sheet 9 of 12	Print Date: 10/02/2015	Size: A3	Updated By: 29/10/2014
Confidential Information not to be reproduced without permission from Device Solutions Ltd.,			File: Opal i.MX6SDL Audio.SchDoc

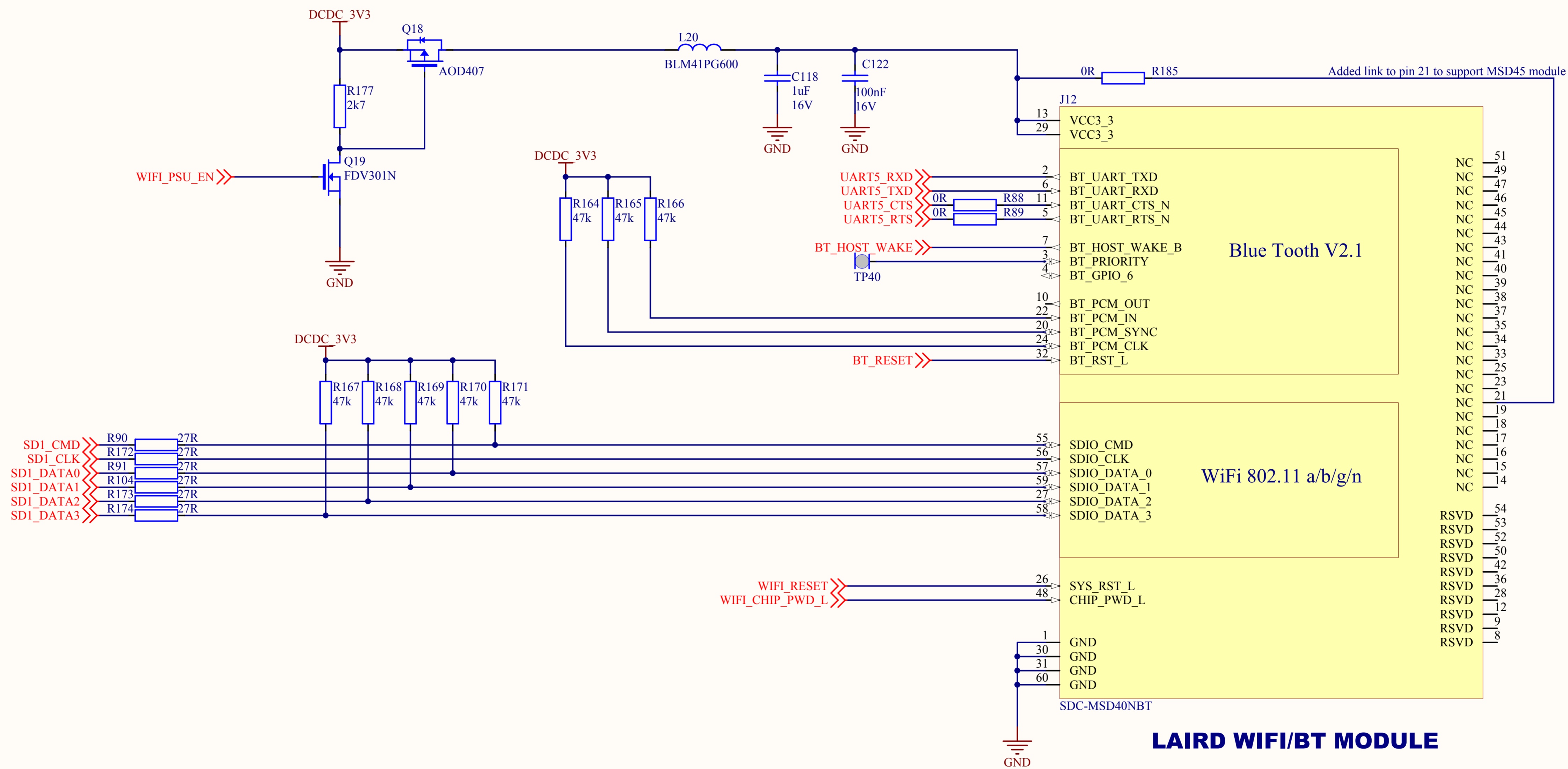


CSI Camera




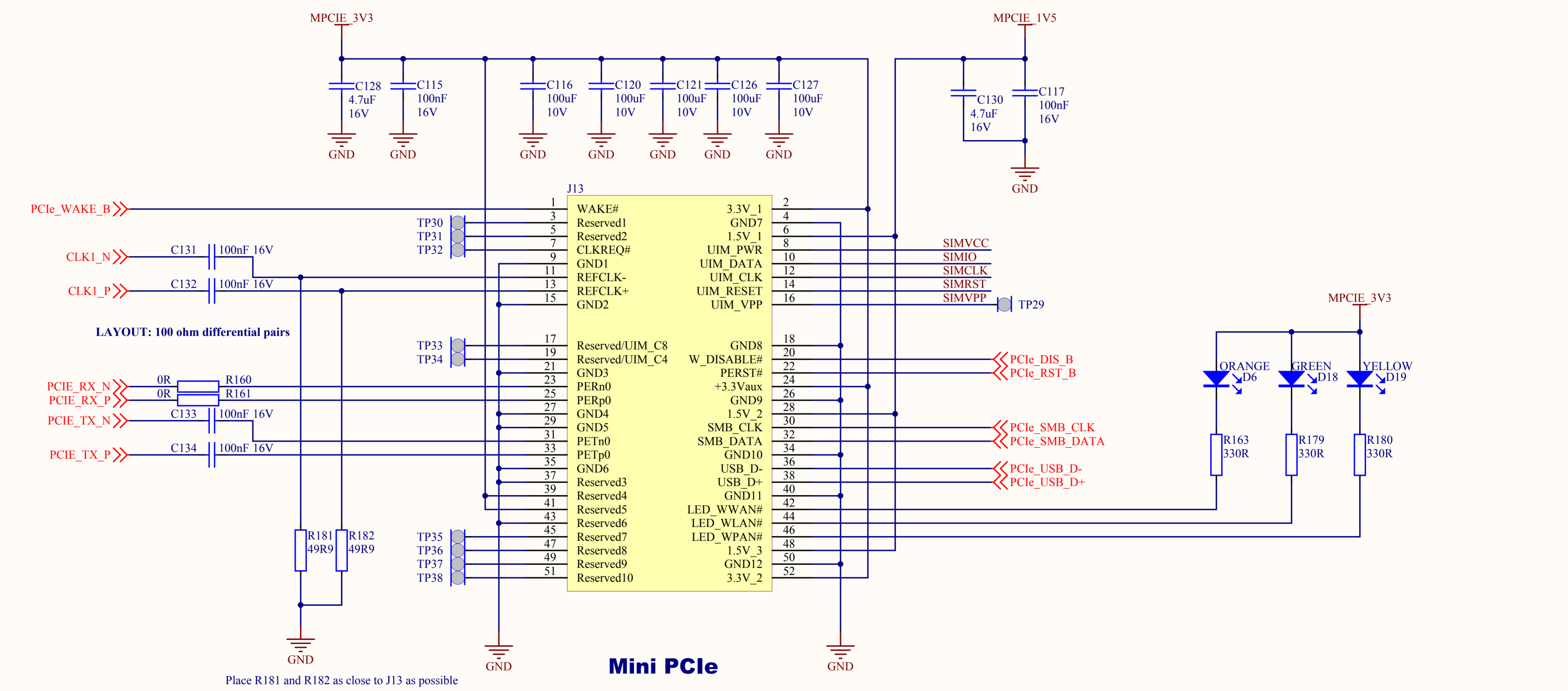
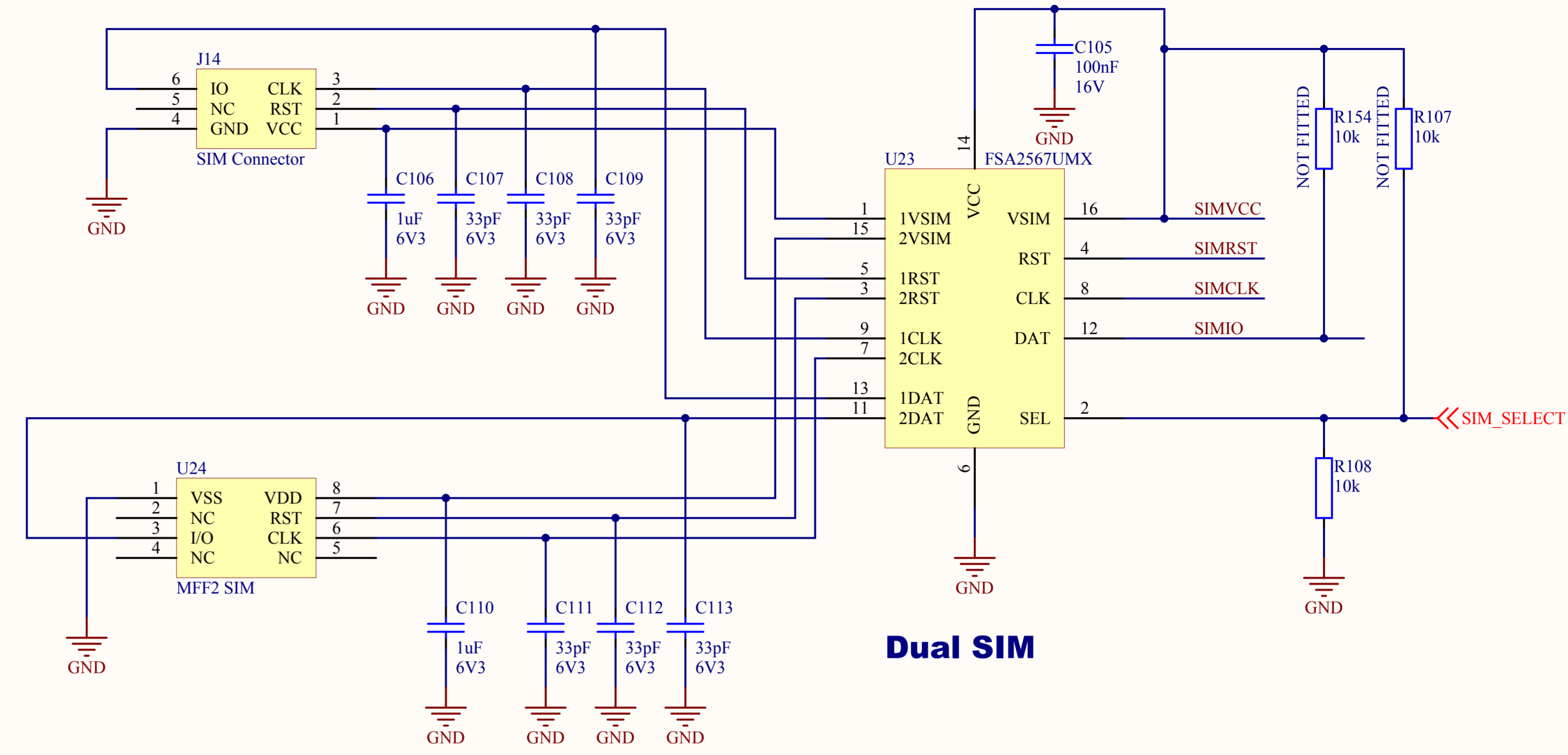
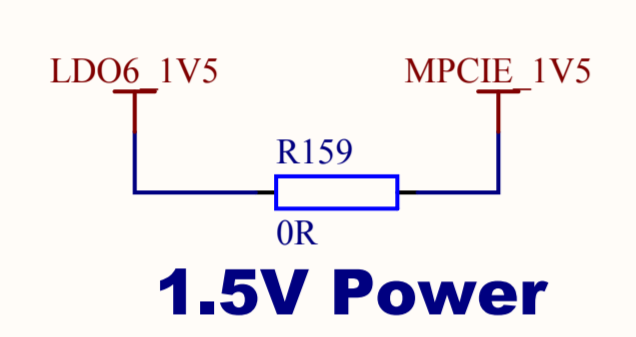
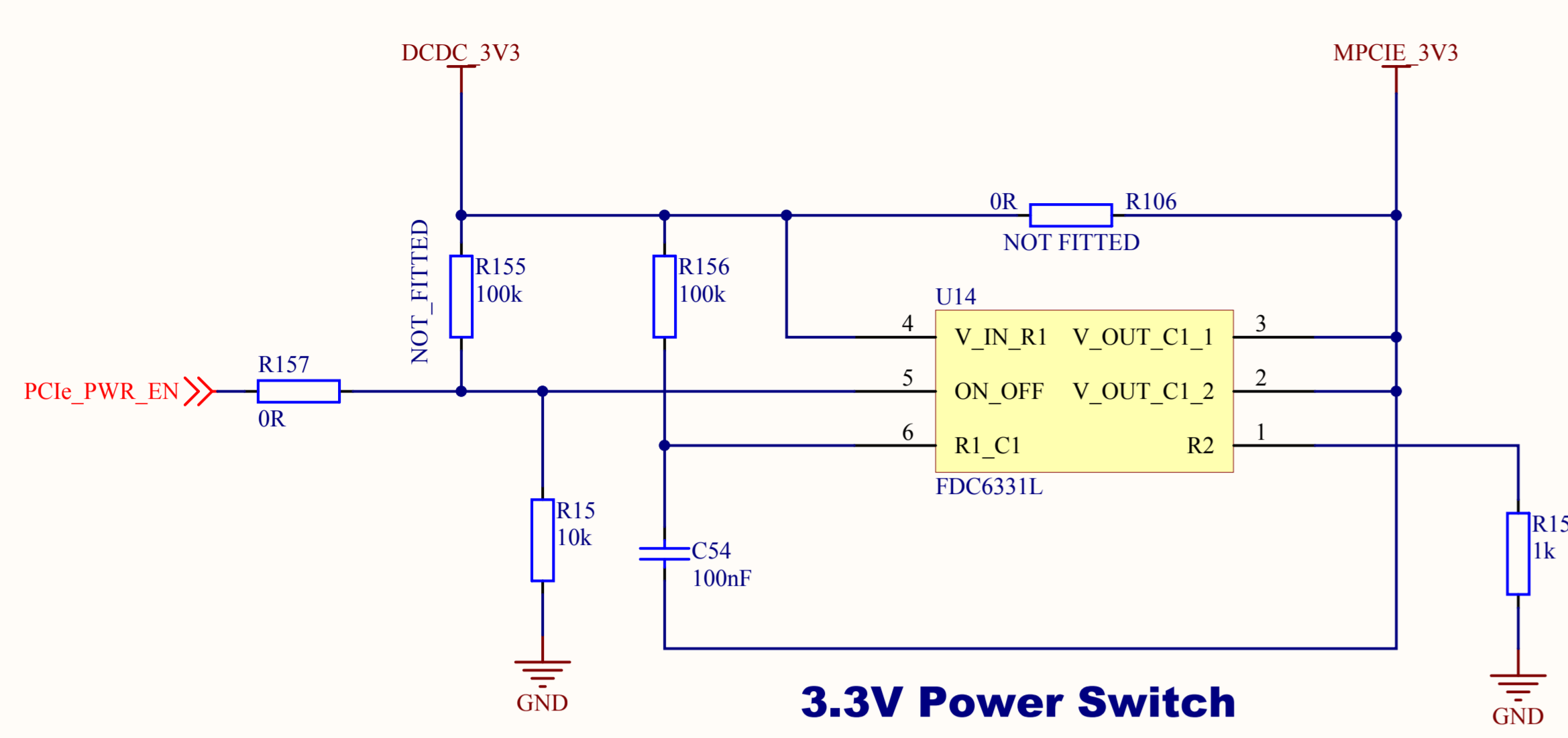
**MIPI Camera
LI-OV5640-MIPI-AF**

Title: Cameras		Drawn By: MNW	
Revision: A	Project: Opal6 DK	Date: 16 May 2011	
Sheet 0 of 12	Print Date: 10/02/2015	Size: A3	Updated By: *
			Date: 29/10/2014
Confidential Information not to be reproduced without permission from Device Solutions Ltd.,			File: Opal i.MX6SDL Cameras.SchDoc



LAIRD WIFI/BT MODULE

Title: WiFi & BlueTooth		Drawn By: MNW	 PO Box 131 Rolleston, 7643 New Zealand
Revision: A	Project: Opal6 DK	Date: 1 June 2012	
Sheet 1 of 12	Print Date: 10/02/2015	Size: A3	Updated By: *
			Date: 29/10/2014
Confidential Information not to be reproduced without permission from Device Solutions Ltd.,			File: Opal i.MX6SDL Wifi&BT.schdoc



Title: Telit Cellular Module		Drawn By: MNW	
Revision: A	Project: Opal6 DK	Date: 1 June 2012	
Sheet 2 of 12	Print Date: 10/02/2015	Size: A3	Updated By: *
Date: 1/12/2014			PO Box 131 Rolleston, 7643 New Zealand
Confidential Information not to be reproduced without permission from Device Solutions Ltd.,			File: Opal i.MX6SDL PCIe.schdoc